



WMR24S-R



Intertek



Intertek

Conforms to NSF/ANSI STD 7 and UL STD 471
 Certified to CSA STD C22.2 No. 120
 Meets NSF 7 requirements for open food storage

Project: _____	AIA# _____
Item #: _____ Qty: _____	SIS# _____
Model #: _____	

Wall-Mount Refrigerator

WMR24S-L, WMR24S-R, WMR24X-L, WMR24X-R

Standard Features

- Self-contained forced air refrigeration system for uniform cooling of product
- Automatic condensate evaporator
- Digital thermostat control with automatic defrost
- All stainless steel interior construction
- Stainless steel exterior construction with galvanized steel back and bottom
- CFC free foamed-in-place insulation
- Removable condenser air inlet filter for easy cleaning
- Six-foot grounded cord and plug provided
- Available with stainless steel door or glass door with stainless steel frame
- LED interior lights with on/off switch
- Specify Left or Right hinge when ordering
- Includes brackets for wall mounting
- 4" adjustable legs available for countertop installation

Specifications

Electrical

- 120V, 1 phase, 60 Hz, 3.0 full load amps
- Separate 15 amp circuit is required
- Includes a 6-foot NEMA 5-15P grounded cord



Refrigeration

- 1/8 HP, R134a refrigerant
- 1,228 BTU/hr heat rejection

Plumbing

- Automatic condensate evaporator. No drain connection required.

Capacity

- Interior Dimensions: 21"W x 23"H x 14"D
- 3.9 cubic feet of storage space

Operating Range

- 34°F (1°C) to 40°F (4°C)

Shelving

- Two adjustable shelves included

Legs (Optional)

- 4" adjustable legs

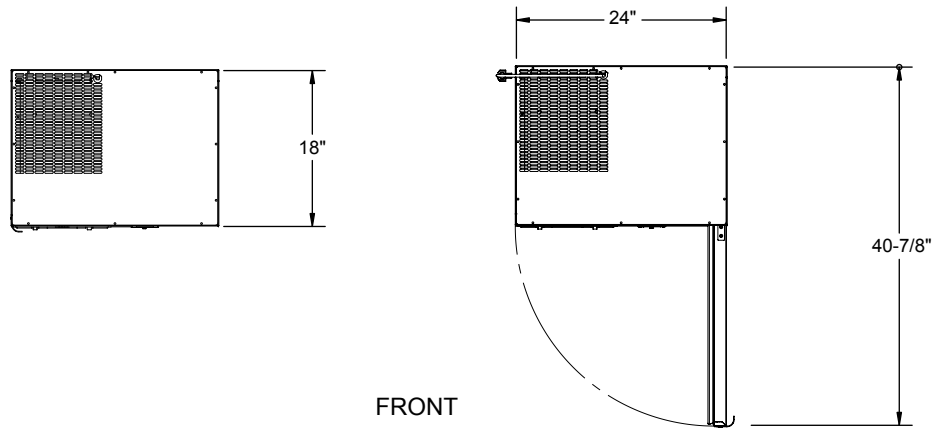
Materials

- Stainless steel parts include: interior, door, and exterior front, sides and top
- Galvanized steel parts include: back, condensing unit floor and exterior bottom

<p>Glastender, Inc. • 5400 North Michigan Road • Saginaw, MI • 48604-9780 989.752.4275 • 800.748.0423 • Fax 989.752.4444 www.glastender.com</p>	Approval/Notes:
<p><small>Specifications subject to change without notice. For current specifications please visit our web site.</small></p>	

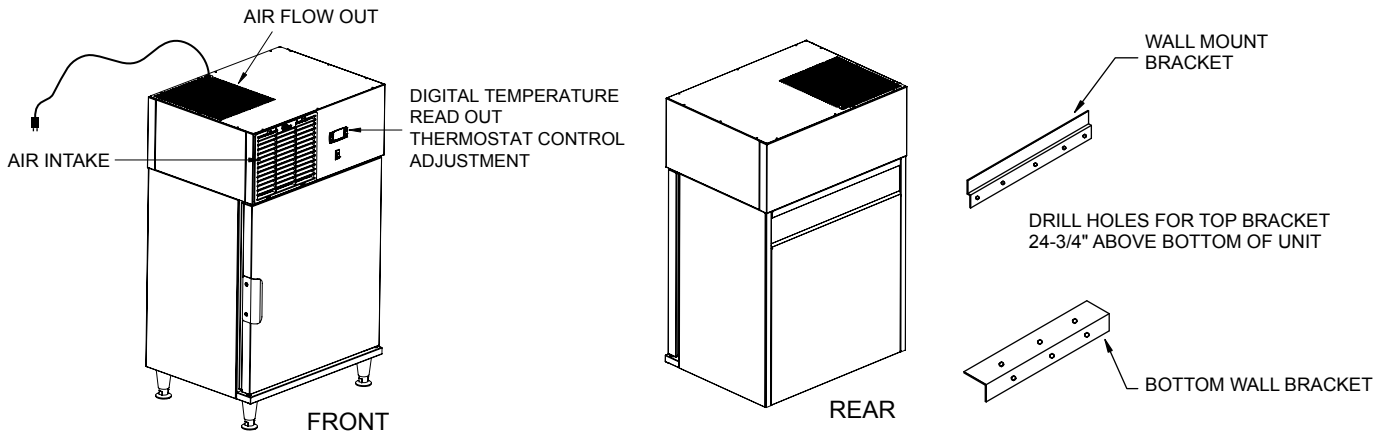
Wall-Mount Refrigerator

Dimensional Information



FRONT

PLAN VIEWS

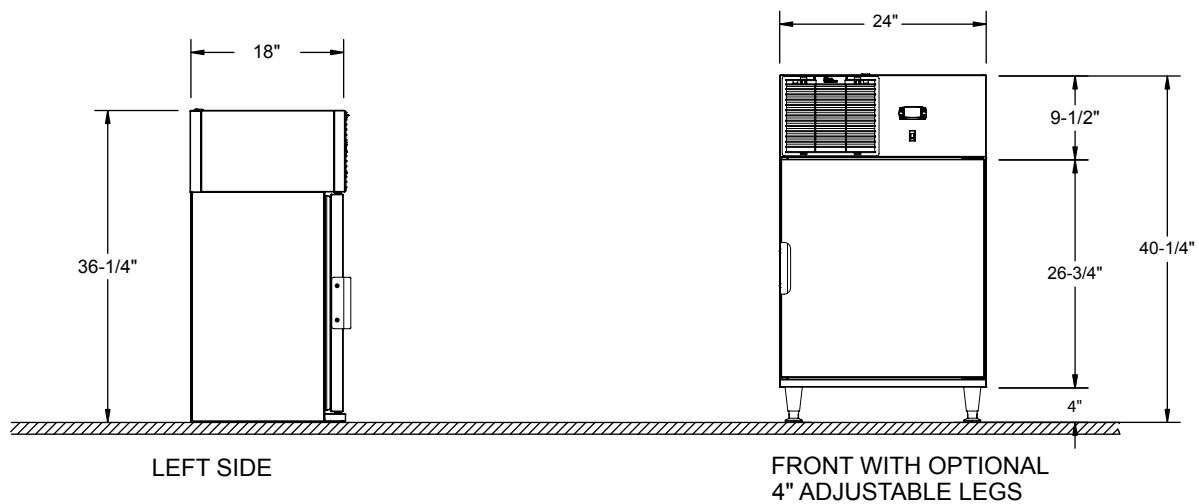


FRONT

REAR

8" OF AIR SPACE IS REQUIRED ABOVE UNIT TO ALLOW FOR AIR FLOW OUT
 WARNING: COMPRESSOR FAILURE DUE TO RESTRICTION OR BLOCKAGE OF AIR FLOW WILL VOID WARRANTY.

ISOMETRIC VIEWS



LEFT SIDE

FRONT WITH OPTIONAL
 4" ADJUSTABLE LEGS

ELEVATION VIEWS



5400 North Michigan Road • Saginaw, MI • 48604-9780
 989.752.4275 • 800.748.0423 • Fax 989.752.4444
 www.glastender.com

Printed in USA