



| | |
|--------------------------|------------|
| Project: _____ | AIA# _____ |
| Item #: _____ Qty: _____ | SIS# _____ |
| Model #: _____ | |

Undercounter Towers

UC-__-SS

Size:
 Specify the number of faucets from 4,5,6,8,9,10,11,12.



UC-4-SS



UC-4-SS shown installed under bar top



Standard Features

- All stainless steel construction
- 1/4" shanks with 3/16" restriction lines
- Available with insulated cold plate assembly for recirculating system
- Available in 4,5,6,8,9,10,11, and 12 faucet sizes
- Available with wine faucets (specify number and location when ordering)
- Removable one piece bottom and side cover for easy interior inspection
- Includes stainless steel faucets and shanks

NOTE: Undercounter towers do not include a drain pan. Glastender offers a free standing under bar Beer Drainer, see spec guide page 3.31.

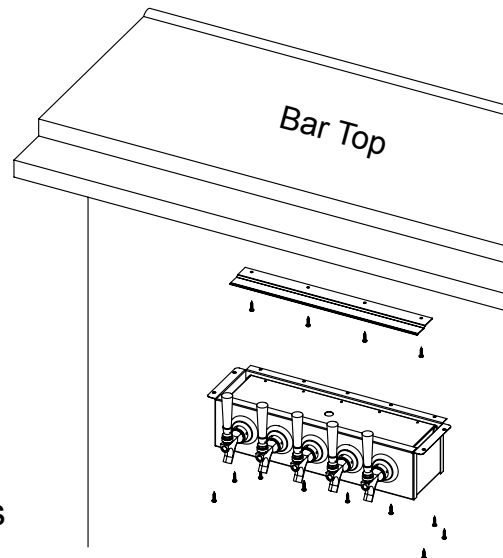
Specifications

Materials

- 20 gauge stainless steel

Shank Sizes

- 1/4" I.D. with 3/16" fittings

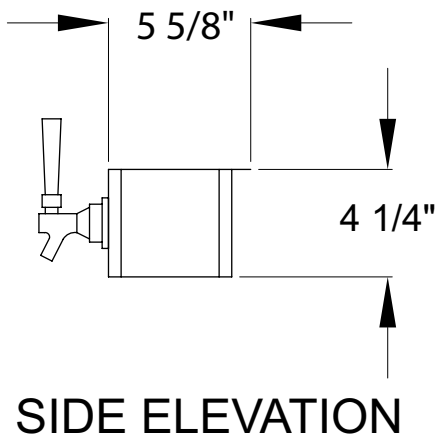
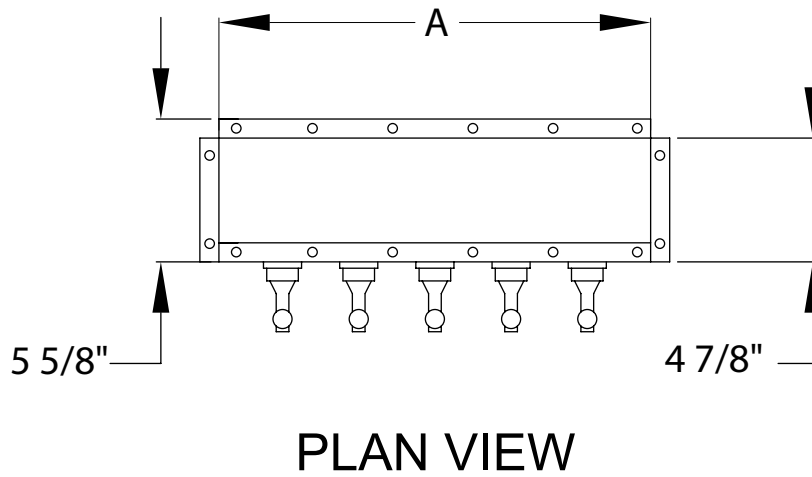
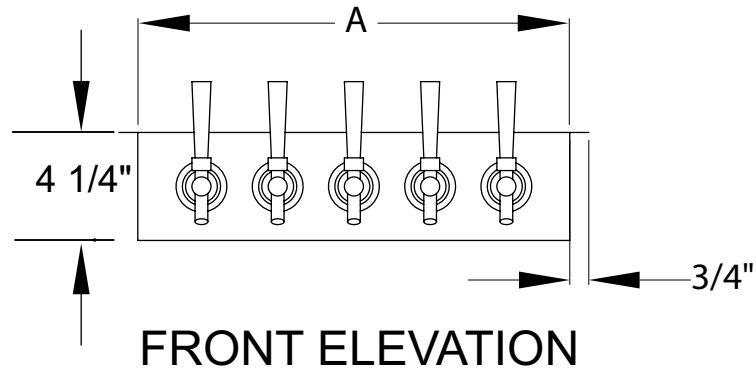


Mounting Details

| | |
|---|-----------------|
| Glastender, Inc. • 5400 North Michigan Road • Saginaw, MI • 48604-9780 989.752.4275 • 800.748.0423 • Fax 989.752.4444 www.glastender.com | Approval/Notes: |
| Specifications subject to change without notice. For current specifications please visit our website. | |

Undercounter Towers

Dimensional Information



| UNDERCOUNTER TOWERS | |
|----------------------------|------------------|
| NUMBER OF FAUCETS | "A" WIDTH |
| 4..... | 14" |
| 5..... | 17" |
| 6..... | 20" |
| 8..... | 26" |
| 9..... | 29" |
| 10..... | 32" |
| 11..... | 35" |
| 12..... | 38" |