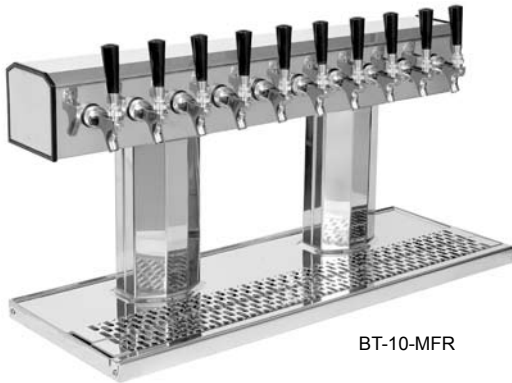




BT-4-SSR



BT-10-MFR



Project: _____	AIA# _____
Item #: _____ Qty: _____	SIS# _____
Model #: _____	

# Tee Towers

BT- \_ - \_

**Size:**  
Specify the number of faucets from 4,5,6,8,10,12.

**Finish:**  
SS = Stainless steel  
MF = Mirror finish  
PB = Polished brass

## Standard Features

- All stainless steel construction (brass is optional)
- Integral surface mount drain pan with lift-out perforated inserts
- 1/4" shanks with 3/16" restriction lines
- Available in grainline stainless, mirror finish stainless, or polished brass
- Available with insulated cold plate assembly for recirculating system
- Available without drain pan (specify suffix '-LD' on the model number)
- Available in 4,5,6,8,10 and 12 faucet sizes
- Stainless and mirror finish models include all stainless steel faucets and shanks
- Available with wine faucets (specify number and location when ordering)
- Foamed-in-place insulated column for extra rigidity
- Unique internal support system for solid mounting
- Base plate serves as template for hole cutting

## Specifications

### Drains

- Drain pan models - 1/2" tailpiece

### Materials

- 20 gauge stainless steel or brass parts include: head, column, drain pan, and perforated inserts
- 16 gauge galvanized steel parts include: sub-surface head stiffener and base plate
- 11 gauge stainless steel parts include: inner column base and top plate and tower head mounting plate

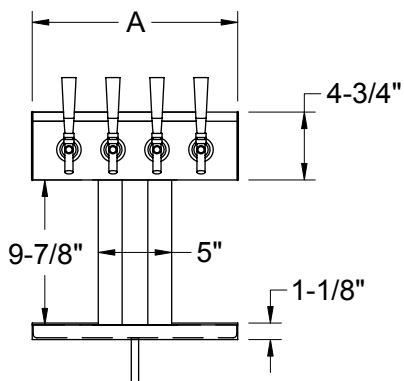
### Shank Sizes

- 1/4" I.D. with 3/16" fittings

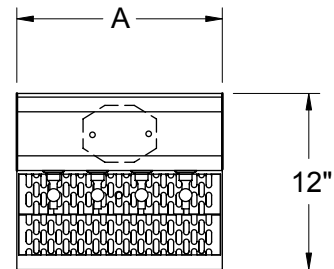
<b>Glastender, Inc.</b> • 5400 North Michigan Road • Saginaw, MI • 48604-9780 989.752.4275 • 800.748.0423 • Fax 989.752.4444 <a href="http://www.glastender.com">www.glastender.com</a>	Approval/Notes:
<small>Specifications subject to change without notice. For current specifications please visit our website.</small>	

# Tee Towers

## Dimensional Information

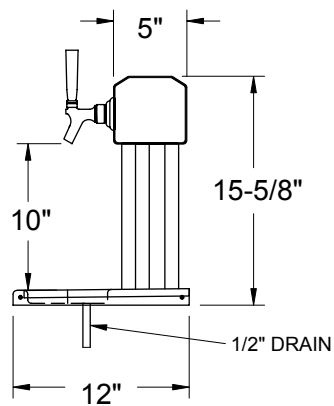


FRONT ELEVATION



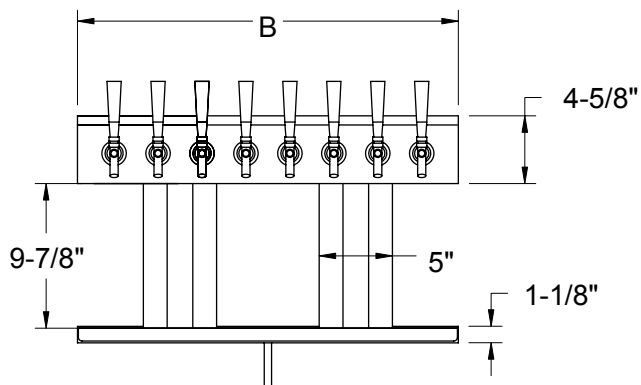
PLAN VIEW

SINGLE COLUMN TEE TOWERS	
NUMBER OF FAUCETS	"A" WIDTH
4	14"
5	17"
6	20"

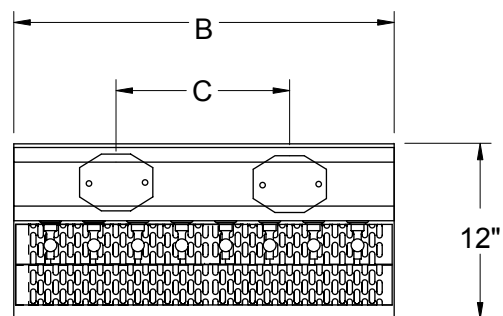


SIDE ELEVATION

DOUBLE COLUMN TEE TOWERS		
NUMBER OF FAUCETS	"B" WIDTH	"C" WIDTH
8	26"	12"
10	32"	15"
12	38"	18"



FRONT ELEVATION



PLAN VIEW