

Project: _____	AIA# _____
Item #: _____ Qty: _____	SIS# _____
Model #: _____	

Line Chiller Racks and Stands

LCR-G, LCR-S, LCR-GE, LCR-SE, LCR-SO,
LCR-GO, LCS-G, LCS-S



Standard Features

- All 16 gauge galvanized or stainless steel construction
- Pre-drilled mounting holes to fit Glastender linechiller models
- Three models of line chiller racks to accommodate various models of Glastender line chillers
- Adjustable feet on line chiller stands for leveling
- One line chiller stand fits all models of Glastender line chillers
- Line chiller stands feature bottom shelf for miscellaneous storage

Line Chiller Rack Product Details	Line Chiller Stand Product Details
--	---

LCR-S

- All 16 gauge stainless steel
- Designed for use with line chiller models BLC-1/3, BLC-1/3-2, BLC-1/2 and BLC-1/2-2

LCR-G

- All 16 gauge galvanized steel
- Designed for use with line chiller models BLC-1/3, BLC-1/3-2, BLC-1/2 and BLC-1/2-2

LCR-SE

- All 16 gauge stainless steel
- Designed for use with line chiller model BLC-1/3-E

LCR-GE

- All 16 gauge galvanized steel
- Designed for use with line chiller models BLC-1/3-E

LCR-SO

- All 16 gauge stainless steel
- Designed for use with line chiller model LC-47

LCR-GO

- All 16 gauge galvanized steel
- Designed for use with line chiller model LC-47
BLC-1/3-2, BLC-1/2 and BLC-1/2-2

NOTE: Line chiller racks must be properly mounted to a structural wall.

LCS-S

- All 16 gauge stainless steel
- Designed for use with all Glastender line chiller models

LCS-G

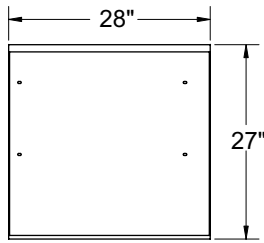
- All 16 gauge galvanized steel
- Designed for use with all Glastender line chiller models

Glastender, Inc. • 5400 North Michigan Road • Saginaw, MI • 48604-9780 989.752.4275 • 800.748.0423 • Fax 989.752.4444 www.glastender.com	Approval/Notes:
Specifications subject to change without notice. For current specifications please visit our website.	

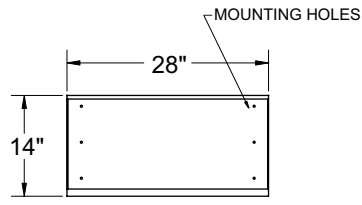
Line Chiller Racks and Stands

Dimensional Information

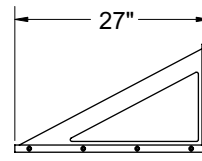
LCR-G and LCR-S



PLAN VIEW

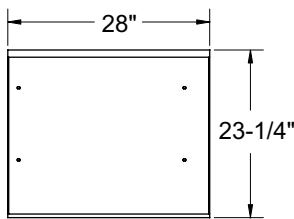


FRONT ELEVATION

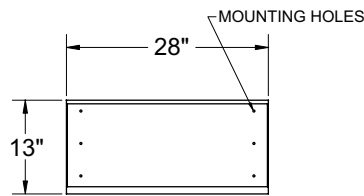


SIDE ELEVATION

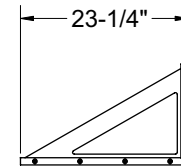
LCR-GE and LCR-SE



PLAN VIEW

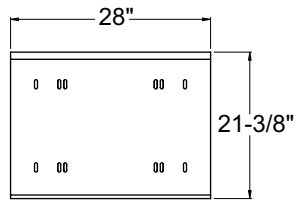


FRONT ELEVATION

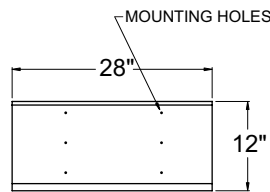


SIDE ELEVATION

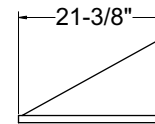
LCR-GO and LCR-SO



PLAN VIEW

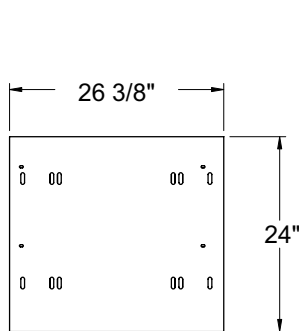


FRONT ELEVATION

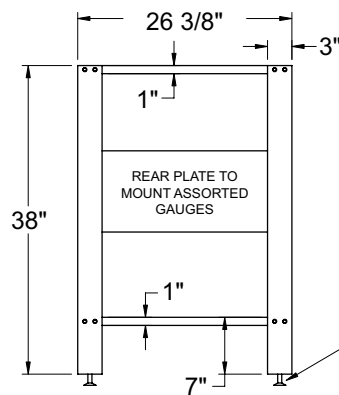


SIDE ELEVATION

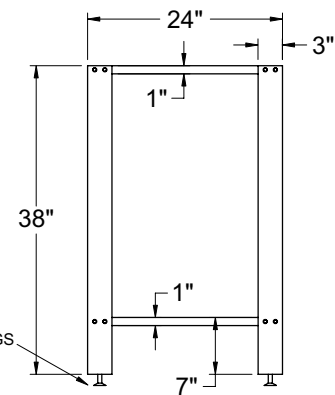
LCS-G and LCS-S



PLAN VIEW



FRONT ELEVATION



SIDE ELEVATION