

Project: _____	AIA# _____
Item #: _____ Qty: _____	SIS# _____
Model #: _____	

Low Profile Narrow Door Pass Thru Coolers - Four and Six Door Remote



LNP40L-BL(LR/LR)



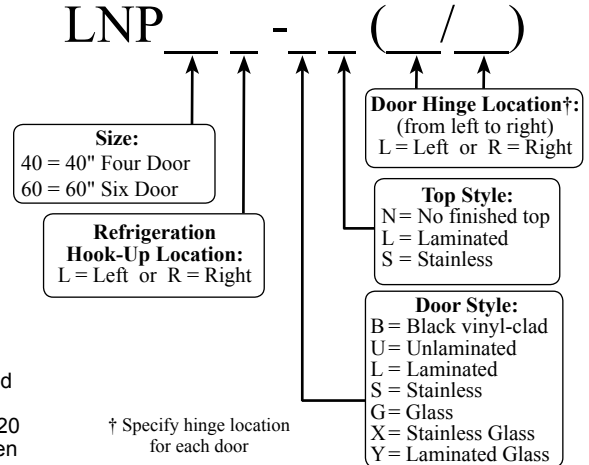
Intertek



Intertek

4004503

Conforms to NSF/ANSI STD 7 and
UL STD 471
Certified to CSA STD C22.2 No. 120
Meets NSF 7 requirements for open
food storage



Standard Features

- DOE 2017 compliant
- Remote unit
- All stainless steel interior with radius corners is easy to keep clean
- Locking doors
- LED interior lighting
- Available without a finished top for integrated installation below customer supplied bar top
- 180° swinging doors
- Leg sockets recessed into base
- Stainless steel evaporator housing with separate removable evaporator drain pan

Specifications

Electrical

- 120V, 1 phase, 60 Hz
- Dedicated 15 amp circuit is required
- 14 gauge wire connection is made inside the cooler next to evaporator housing - interior access is through one of the 3/4" side knock-out holes (electrician's choice)

Refrigeration

- R134a or R404a expansion valve & temperature control included. Specify type required when ordering.
- Refrigeration system capacity requirements*:
LNP40 - 1,600 BTU/hr
LNP60 - 2,000 BTU/hr
- * BTU/hr design loads are figured assuming 85° F ambient, 15° F evaporator temperature, all glass doors, maximum internal loading, and average compressor cycling. No solar heat gain has been accounted for.
- All refrigeration hookups are made at the installation site

Plumbing

- A six foot length of 1/2" ID by 5/8" OD plastic tubing is provided to drain condensate. The tubing should exit through one of the 3/4" side knock-out holes (installer's choice). The maximum drainage is one ounce per hour - consult local codes for compliance - a floor drain may be required

Shelving

- One adjustable coated shelf and one bottom coated rack per door included

Materials

- Stainless steel parts include: interior, front of cabinet, hinges, hinge and lock brackets, and optional legs
- Black vinyl-clad steel parts include: standard sides and doors
- Galvanized steel parts include: exterior sub-top, back and bottom
- Zinc plated CR steel parts include: leg sockets

Weight Bearing Capacity

- Counter tops and other accessories should not exceed 200 pounds per door

Capacities

	LNP40	LNP60
• 12 oz. bottles, cases	8.2	13.8
• 750ml wine bottles	66	106

<p>Glastender, Inc. • 5400 N Michigan Rd • Saginaw, MI • 48604-9780 989.752.4275 • 800.748.0423 • Fax 989.752.4444 www.glastender.com</p>	<p>Approval/Notes:</p>
--	------------------------

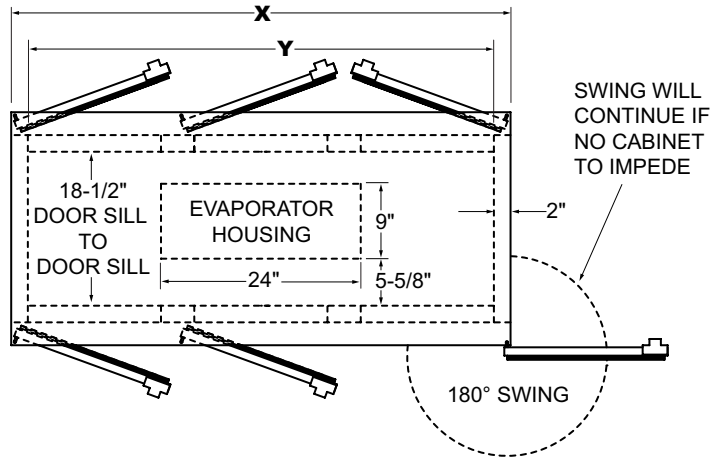
Specifications subject to change without notice. For current specifications please visit our website.

Remote Low Profile Narrow Door Pass Thru Coolers

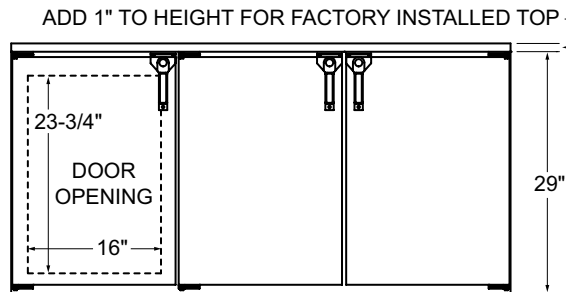
Dimensional Information

Model	X	Y	Doors
LNP40	40"	36"	4
LNP60	60"	56"	6

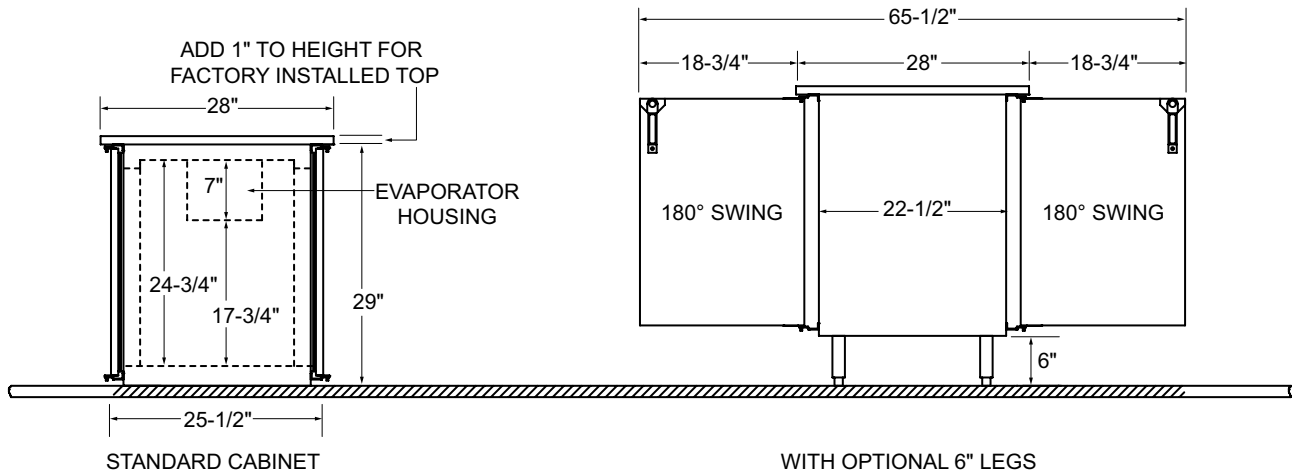
PLAN VIEW



FRONT VIEW



SIDE VIEWS



NOTE: Available with refrigeration hook-up location left or right. Use Model Number Key to specify location when ordering.



5400 N Michigan Rd • Saginaw, MI • 48604-9780
 989.752.4275 • 800.748.0423 • Fax 989.752.4444
 www.glastender.com