

Project: _____	AIA# _____
Item #: _____ Qty: _____	SIS# _____
Model #: _____	

Narrow Door Shallow Depth Coolers - Two, Three, and Four Door Remote



NS40L-BS(LR)



Intertek

4004503

Conforms to NSF/ANSI STD 7 and UL STD 471

Certified to CSA STD C22.2 No. 120 Meets NSF 7 requirements for open food storage

NS - ()

Size:
40 = 40" Two Door
60 = 60" Three Door
80 = 80" Four Door

Refrigeration Hook-Up Location:
L = Left or R = Right

Door Hinge Location†:
(from left to right)
L = Left or R = Right

Top Style:
N = No finished top
L = Laminated
S = Stainless

Door Style:
B = Black vinyl-clad
U = Unlaminated
L = Laminated
S = Stainless
G = Glass
X = Stainless Glass
Y = Laminated Glass

† Specify hinge location for each door

Standard Features

- DOE 2017 compliant
- Remote unit
- All stainless steel interior with radius corners is easy to keep clean
- Locking doors
- LED interior lighting
- Heated mullion to minimize condensation
- Available without a finished top for integrated installation below customer supplied bar top
- 180° swinging doors
- Leg sockets recessed into base
- Stainless steel evaporator housing with separate removable evaporator drain pan

Specifications

Electrical

- 120V, 1 phase, 60 Hz
- Dedicated 15 amp circuit is required
- 14 gauge wire connection is made inside the cooler next to evaporator housing - interior access is through one of the 3/4" side knock-out holes (electrician's choice)

Refrigeration

- R134a or R404a expansion valve & temperature control included. Specify type required when ordering.
- Refrigeration system capacity requirements*:
NS40 - 975 BTU/hr
NS60 - 1250 BTU/hr
NS80 - 1550 BTU/hr
- * BTU/hr design loads are figured assuming 85° F ambient, all glass doors, maximum internal loading, and average compressor cycling. No solar heat gain has been accounted for.
- All refrigeration hookups are made at the installation site

Plumbing

- A six foot length of 1/2" ID by 5/8" OD plastic tubing is provided to drain condensate. The tubing should exit through one of the 3/4" side knock-out holes (installer's choice). The maximum drainage is one ounce per hour - consult local codes for compliance - a floor drain may be required

Shelving

- Two adjustable stainless steel shelves per door included

Materials

- Stainless steel parts include: interior, front of cabinet, shelves, hinges, hinge and lock brackets, and optional legs
- Black vinyl-clad steel parts include: standard sides and doors
- Galvanized steel parts include: exterior sub-top, back and bottom
- Zinc plated CR steel parts include: leg sockets

Weight Bearing Capacity

- Counter tops and other accessories should not exceed 500 pounds per door

Capacities	NS40	NS60	NS80
• 12 oz. bottles, cases	7.1	11.8	16.4
• 750ml wine bottles	66	110	152

Glastender, Inc. • 5400 N Michigan Rd • Saginaw, MI • 48604-9780 989.752.4275 • 800.748.0423 • Fax 989.752.4444 www.glastender.com	Approval/Notes:
--	-----------------

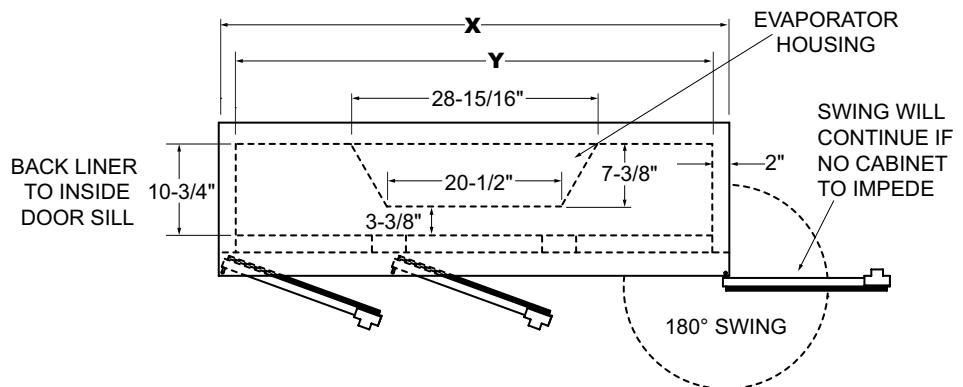
Specifications subject to change without notice. For current specifications please visit our website.

Remote Narrow Door Shallow Depth Coolers

Dimensional Information

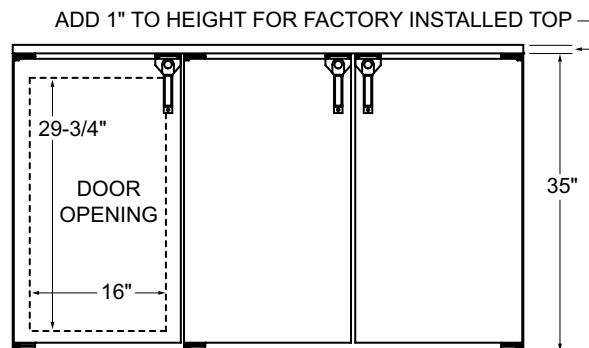
Model	X	Y	Doors
NS40	40"	36"	2
NS60	60"	56"	3
NS80	80"	76"	4

PLAN VIEW

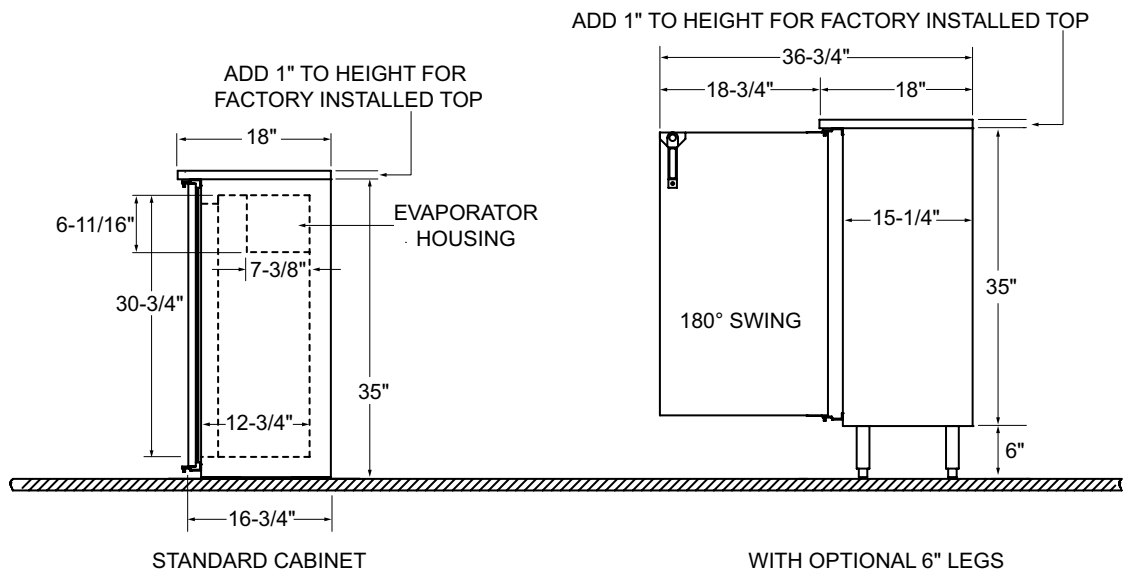


Note: Available with refrigeration hook-up location left or right. Use Model Number Key to specify location when ordering.

FRONT VIEW



SIDE VIEWS



5400 N Michigan Rd • Saginaw, MI • 48604-9780
 989.752.4275 • 800.748.0423 • Fax 989.752.4444
 www.glastender.com