



BB60BRL-XS(LR)



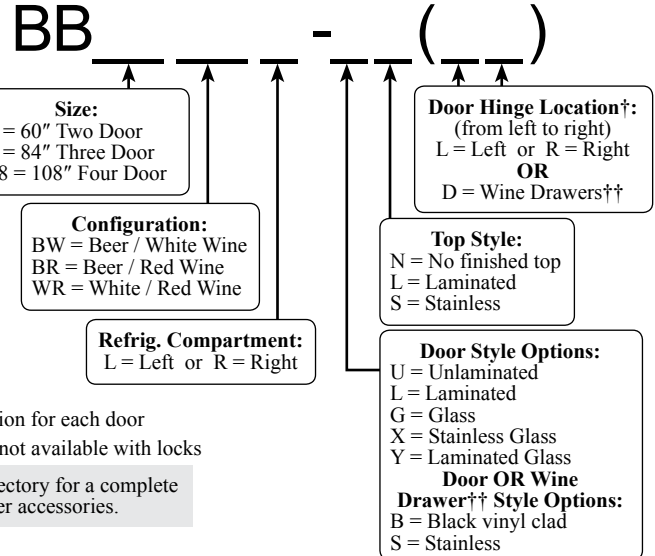
Intertek 4004503 **Intertek**

Conforms to NSF/ANSI STD 7* and UL STD 471
Certified to CSA STD C22.2 No. 120

*All two zone cooler models are NSF 7 for closed container products.

Project: _____	AIA# _____
Item #: _____ Qty: _____	SIS# _____
Model #: _____	

Two Zone Back Bar Coolers Two, Three, and Four Door, Self-Contained



† Specify hinge location for each door
†† Wine drawers are not available with locks
See our Product Directory for a complete list of back bar cooler accessories.

Standard Features

- Available in three configurations: beer and white wine, beer and red wine, or white wine and red wine
- The two temperature zones are independently controlled
- The warmer zone is always a single door and located opposite the compressor end
- DOE 2017 compliant
- All stainless steel interior with radius corners is easy to keep clean
- Locking door(s) (drawers sections do not lock)
- Any door opening may be converted to a wine drawer section
- LED interior lighting
- Heated mullion to minimize condensation
- Evaporator above compressor compartment to maximize storage capacity
- Available without a finished top for integrated installation below customer supplied bar top
- Easy to remove condenser filter can be regularly cleaned to maintain condenser coil efficiency

Specifications

Electrical

- 120V, 1 phase, 60 Hz
- 5.7 full load amps
- Dedicated 15 amp circuit is required
- Includes a 6 foot NEMA 5-15P grounded cord and plug which exits the back of refrigeration compartment



5-15P

Refrigeration

- R134a
- Compressor -1/4 HP
- Heat rejection - 2334 BTU/Hr.

Operating Range

- Beer compartment: 34°F (1°C) to 40°F (4°C)
- White wine compartment: 50°F (10°C) to 55°F (13°C)
- Red wine compartment: 60°F (16°C) to 65°F (18°C)

Plumbing

- Automatic condensate evaporator. No drain connection required.

Shelving

- Two adjustable coated shelves and one bottom coated rack per door included (does not include wine drawer sections)

Materials

- Stainless steel parts include: interior, front of cabinet, hinges, hinge and lock brackets, and optional legs
- Black vinyl-clad steel parts include: standard sides, doors, and compressor cover
- Galvanized steel parts include: exterior sub-top, back and bottom
- Zinc plated CR steel parts include: leg sockets

Weight Bearing Capacity

- Counter tops and other accessories should not exceed 500 pounds per door

Capacities

BB60XX BB84XX BB108XX

• NOTE: XX = BW, BR, or WR

• 12 oz. bottles, cases	15.8	25.3	35.1
• 750ml wine bottles*	141	234	318
• 1/2 barrel kegs	2	3	5
• 1/6 barrel kegs	8	12	18

*Drawer units hold up to 60 wine bottles per 24" section

Glastender, Inc. • 5400 N Michigan Rd • Saginaw, MI • 48604-9780
989.752.4275 • 800.748.0423 • Fax 989.752.4444
www.glastender.com

Approval/Notes:

Specifications subject to change without notice. For current specifications please visit our website.

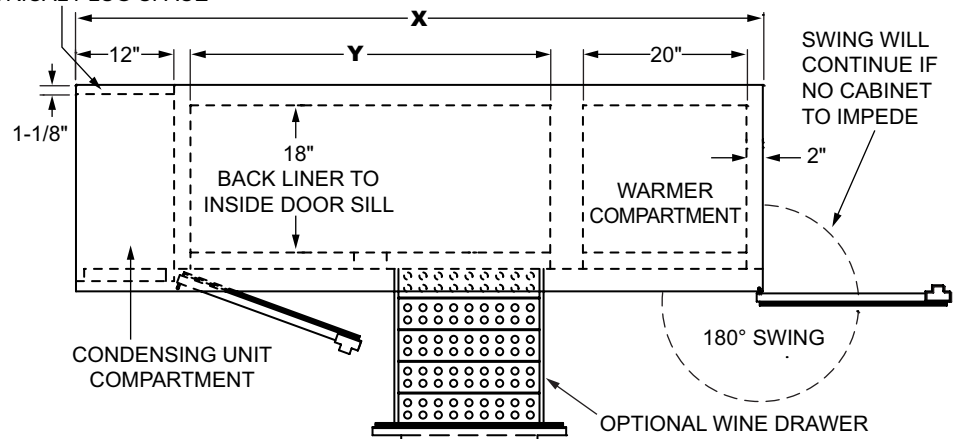
Self-Contained Two Zone Back Bar Coolers

Dimensional Information

Model	X	Y	DOORS
BB60BW BB60BR BB60WR	60"	20"	2
BB84BW BB84BR BB84WR	84"	44"	3
BB108BW BB108BR BB108WR	108"	68"	4

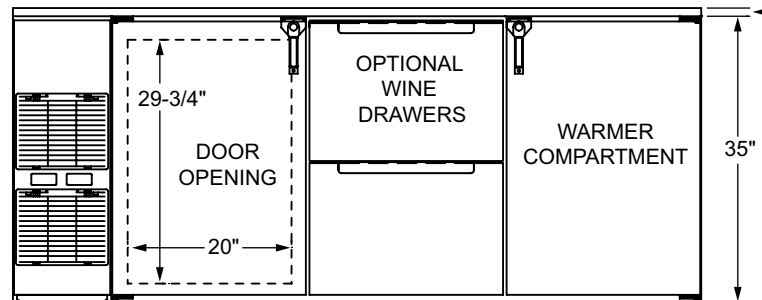
RECESSED BACK FOR ELECTRICAL PLUG SPACE

PLAN VIEW



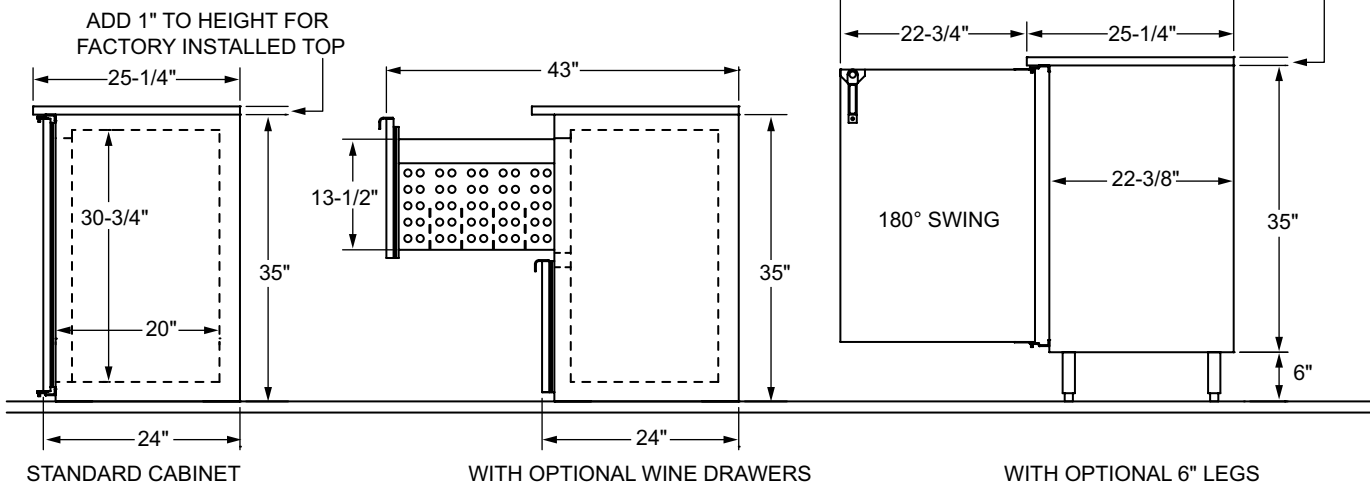
FRONT VIEW

ADD 1" TO HEIGHT FOR FACTORY INSTALLED TOP



SIDE VIEWS

ADD 1" TO HEIGHT FOR FACTORY INSTALLED TOP



Note: Available with compressor left or right. Compressor left model shown. Use Model Number Key to specify location when ordering.



5400 N Michigan Rd • Saginaw, MI • 48604-9780
989.752.4275 • 800.748.0423 • Fax 989.752.4444
www.glastender.com

Printed in USA