

Project: _____	AIA# _____
Item #: _____ Qty: _____	SIS# _____
Model #: _____	

**Wood Compressor
 Compartment Cover Details**

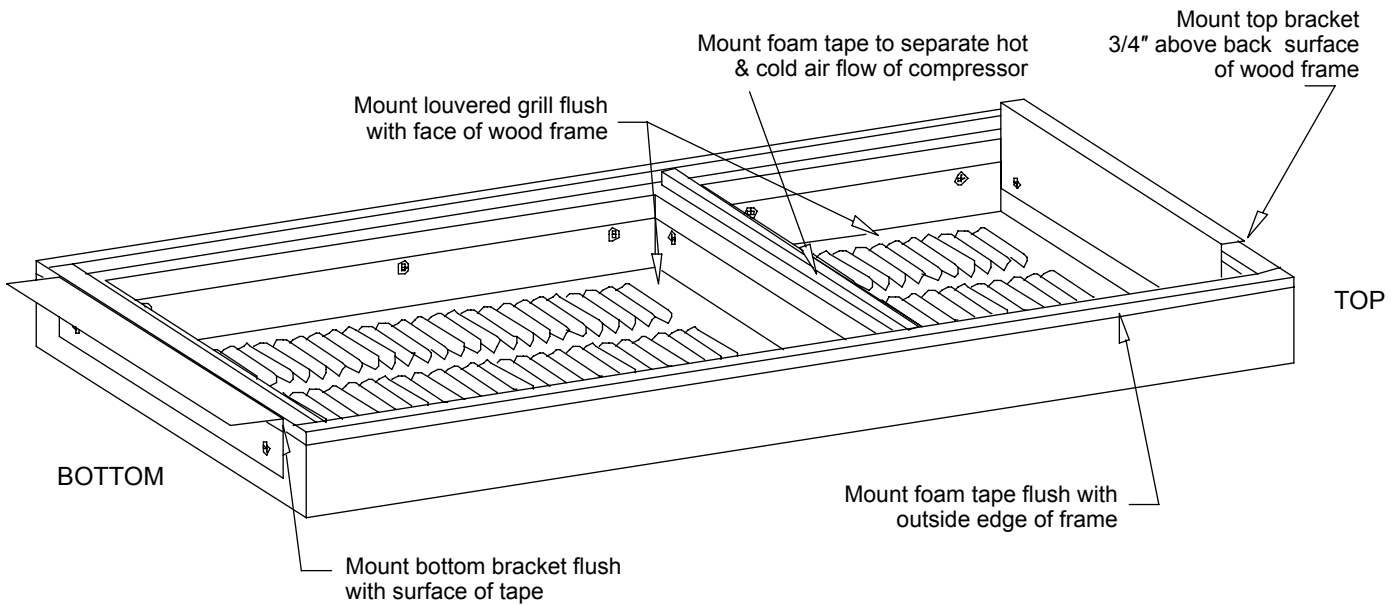
Glastender Back Bar, Narrow Door, Low Profile, and Pass Thru coolers can be supplied with wood compressor compartment covers to match wood panel doors. The dimensional specifications are shown on the following page.

Black vinyl-clad grill inserts, mounting brackets, foam tape, and screws are sent with the cooler.

NOTE: Raised panel wood doors do not meet UL flammability test requirements. Coolers manufactured with raised panel wood doors do NOT carry the ETL mark. Please verify acceptability with your local electrical inspector prior to ordering.

Wood Panel Door Mounting Instructions

BACK SIDE OF COVER IS SHOWN UP

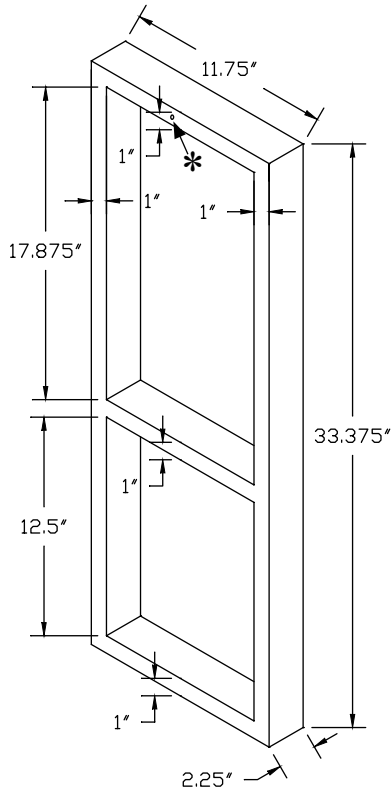


1. Mount louvered grills, top and bottom mounting brackets, and foam tape to wood compressor compartment cover as shown in the detail above.
2. Attach cover to compressor compartment by clipping the top bracket to the top front of the compressor compartment (endwall coolers do not use a top bracket, instead they are attached by a screw through the center of the top end of the compartment cover) and secure in place with screws through the bottom mounting bracket.

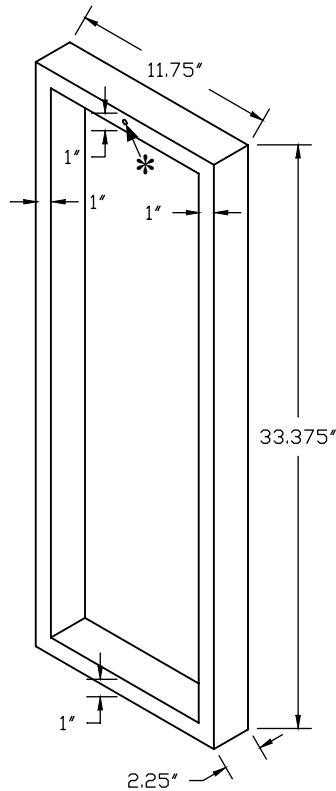
Glastender, Inc. • 5400 North Michigan Road • Saginaw, MI • 48604-9780 989.752.4275 • 800.748.0423 • Fax 989.752.4444 www.glastender.com	Approval/Notes:
Specifications subject to change without notice. For current specifications please visit our website.	

Dimensional Information

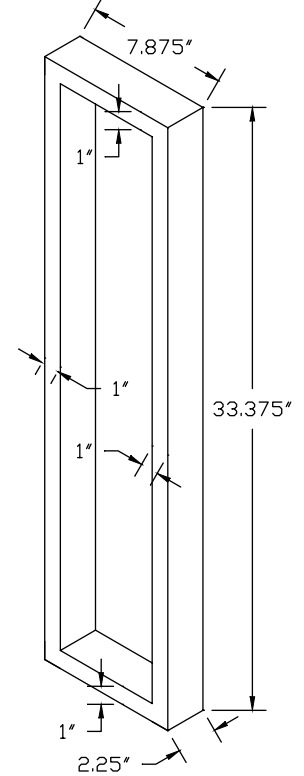
*Field installation requires drilling a 1/4" hole centered on the top rail to accept the screw used to mount to BB, ND, and LP model coolers with a 12" compressor compartment.



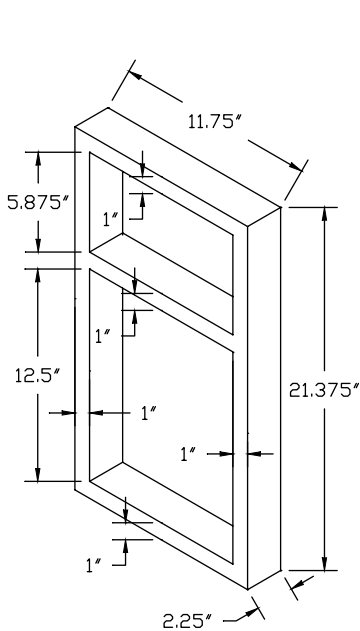
BB, ND, and PT Models with 12" compressor compartment prior to August 2017



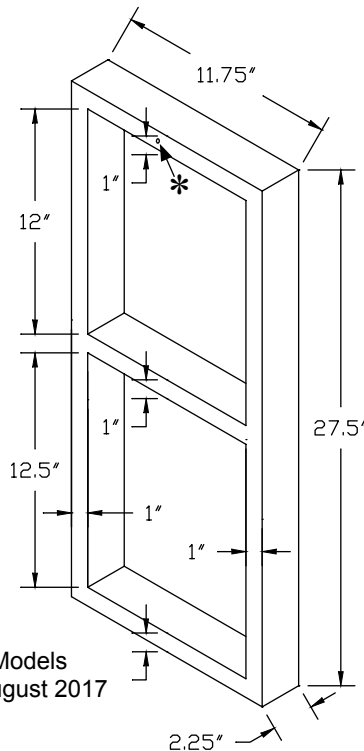
BB, ND, and PT Models with 12" compressor compartment August 2017 and after



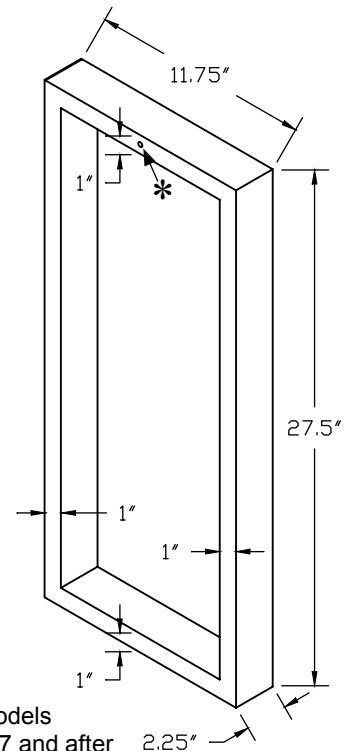
BB, ND, and PT Models with 8" compressor compartment



BB, ND, and PT Models with 12" low profile compressor comp.



LP Models prior to August 2017



LP Models August 2017 and after