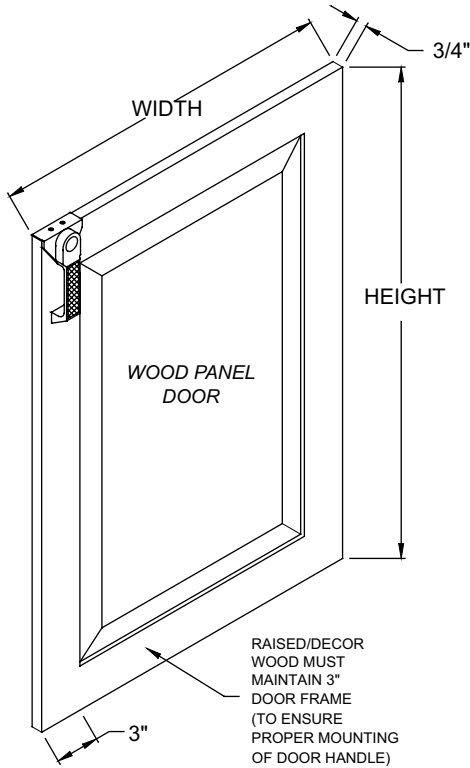


Project: _____	AIA# _____
Item #: _____ Qty: _____	SIS# _____
Model #: _____	

Wood Panel Cooler Door Details



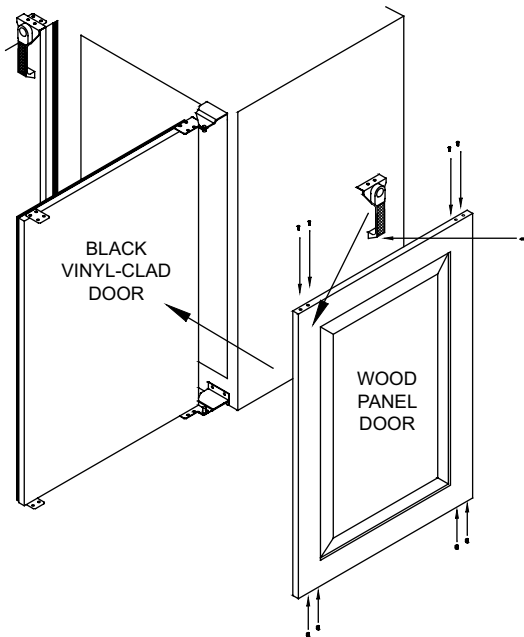
Glastender Back Bar, Narrow Door, Low Profile, Pass Thru, and Front Venting coolers, Front Venting Mug Chillers, and Dry Storage cabinets can be supplied with hinge hardware to accommodate 3/4" thick wood panel doors attached to the front of the standard black vinyl-clad doors.

The specification when ordering must call out for hinge hardware to accommodate wood panel doors. The cooler top must be at least 26" deep. Also see specification sheet 4.30 Compressor Compartment Cover Details.

The dimensional details for fabrication of the wood panels doors are illustrated in the detail to the left with the width and height dimensions listed on the following page.

NOTE: Raised panel wood doors do not meet UL flammability test requirements. Coolers manufactured with raised panel wood doors do NOT carry the ETL mark. Please verify acceptability with your local electrical inspector prior to ordering.

Wood Panel Door Mounting Instructions



1. Remove the black vinyl-clad door from the cooler by removing the screws from the top hinge. The door can then tilt out from under the hinge and be lifted up off the bottom hinge bracket. Retain the plastic spacer washers.
2. Secure the top hinge back in place.
3. Lay the black vinyl-clad door down face up and position the wood panel on top of it. No sealant or glue is required between the black vinyl-clad door and the wood panel.
4. Align the wood panel accordingly, then pre-drill starter holes in the wood panel through the upper and lower wood panel mounting plates already attached to the black vinyl-clad door. The top and bottom hinge also function as wood panel mounting plates.
5. Mount the wood panel with screws through all of the wood panel mounting plates except the top hinge. The handle must be mounted at this time as well.
6. Remove the top hinge from the black vinyl-clad door and set the bottom hinge pin into the bottom hinge bracket. Be sure to use the plastic spacer washers provided for the upper and lower hinge pins.
7. Place the top hinge on the top hinge bracket pin and then position the door beneath the hinge to align with mounting holes.
8. Fasten the top hinge to the black vinyl-clad door and the wood panel and the installation is complete.

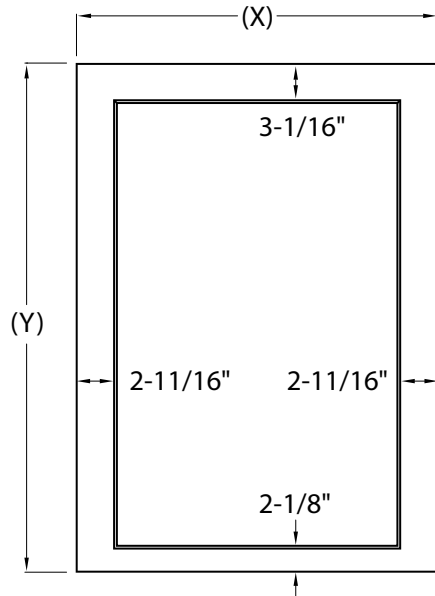
Wood Panel Cooler Door Details

Wood Panel Cooler Door Dimensions

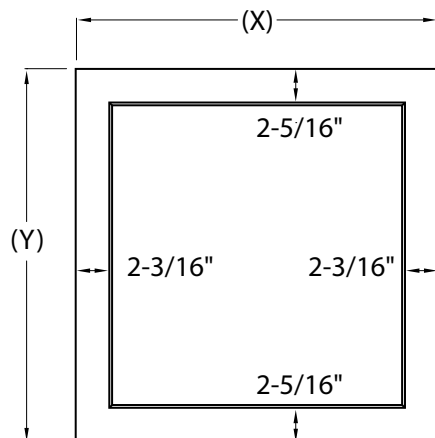
2" Wall Construction

SERIES	WIDTH (X)	HEIGHT (Y)
BB	23-5/8"	33-3/16"
LP	23-5/8"	27-5/16"
ND	19-5/8"	33-3/16"
NDLP	19-5/8"	27-5/16"
FV - S/N 134143788F, MFG date 05-13-2013 and later	23-5/8"	24-1/4"
MFV - S/N 404144876N, MFG date 07-10-2013 and later	23-5/8"	24-1/4"

BB, LP, ND, and NDLP wood frame for glass door with 2" wall construction



FV and MFV wood frame for glass door with 2" wall construction



1-1/2" Wall Construction

SERIES	WIDTH (X)	HEIGHT (Y)
BB, PT, RF, DS	23-5/8"	33-3/8"
ND	19-5/8"	33-3/8"
LP	23-5/8"	27-1/2"
NDLP	19-5/8"	27-1/2"
FV - S/N's prior to 134143788F and MFG date 05-13-2013	23-5/8"	27-1/2"
MFV - S/N's prior to 404144876N and MFG date 07-10-2013	23-5/8"	24-5/8"

BB, PT, RF, DS, ND, LP, and NDLP wood frame for glass door with 1-1/2" wall construction

