

Project: _____	AIA# _____
Item #: _____ Qty: _____	SIS# _____
Model #: _____	

Back Bar Cash Register Recess

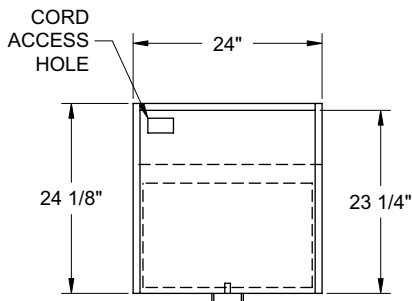


BB-CR

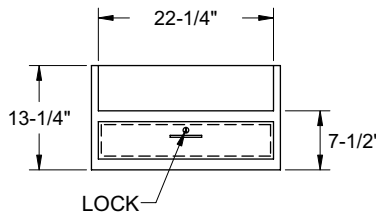
Standard Features

The BB-CR back bar cash register recess is designed for use with Glastender back bar coolers. It is constructed with 3/4" plywood panels laminated on all six sides (faces and edges). The BB-CR has a locking drawer, cord access hole, and a notched back to create an electrical, beer, or CO₂ line chaseway. The standard laminate color is matte black.

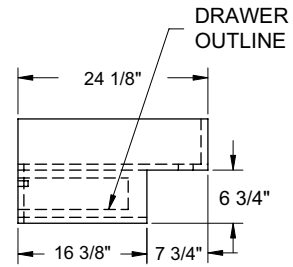
The BB-CR fits between two adjoining self-contained back bar or narrow door coolers with low profile compressor compartments. NOTE: BB and ND coolers that are constructed with low profile compressor compartments are not NSF7 listed for open food storage



Plan View

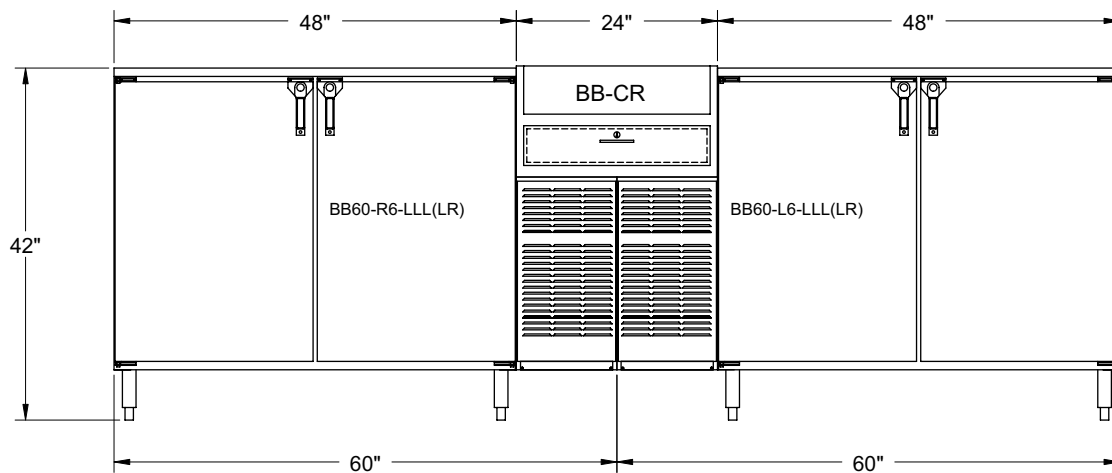


Front Elevation



Right Side Elevation

Installation Detail



Front elevation of back bar line up showing two door coolers with low profile compressor compartments and BB-CR cash register recess.

Glastender, Inc. • 5400 North Michigan Road • Saginaw, MI • 48604-9780 989.752.4275 • 800.748.0423 • Fax 989.752.4444 www.glastender.com	Approval/Notes: _____
Specifications subject to change without notice. For current specifications please visit our website.	