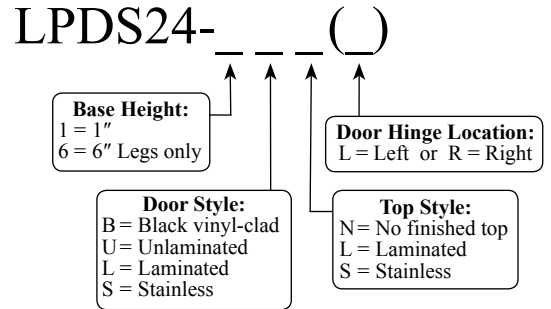


Project: _____	AIA# _____
Item #: _____ Qty: _____	SIS# _____
Model #: _____	

24" Low Profile Dry Storage Cabinet One Door Model



LPDS24-1LL(R)



Intertek
4004503

Conforms to NSF/ANSI STD 2

Standard Features

- Galvanized steel interior construction
- CFC Free foamed-in-place insulated sides and door for extra sturdiness and sound deadening
- Galvanized steel sub-top
- Black vinyl-clad steel exterior front and sides
- Stainless steel die cast handle with lock
- Leg sockets recessed into base
- 180° swinging door

To view underbar installation instructions, please visit: http://www.glastender.com/PDF/F-750-165_Underbar_Installation_Instructions.pdf
 To view cleaning and care instructions, please visit: http://www.glastender.com/PDF/F-423-011_ss_clean_care.pdf

Specifications

Shelving

- One adjustable shelf included

Legs

- 1-5/8" diameter
- Stainless steel bullet feet

Materials

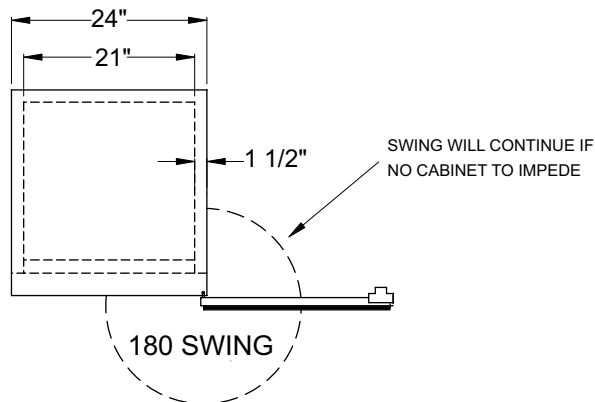
- 22 gauge galvanized steel parts include: interior floor, walls, ceiling, front of cabinet, and exterior sub-top
- 22 gauge black vinyl-clad parts include: sides and standard doors
- 16 gauge stainless steel parts include: legs
- 16 gauge galvanized steel parts include: base
- 16 gauge zinc plated CR steel parts include: leg sockets
- 12 gauge stainless steel parts include: hinges, hinge brackets, and lock brackets

<p>Glastender, Inc. • 5400 North Michigan Road • Saginaw, MI • 48604-9780 989.752.4275 • 800.748.0423 • Fax 989.752.4444 www.glastender.com</p>	<p>Approval/Notes:</p>
Specifications subject to change without notice. For current specifications please visit our website.	

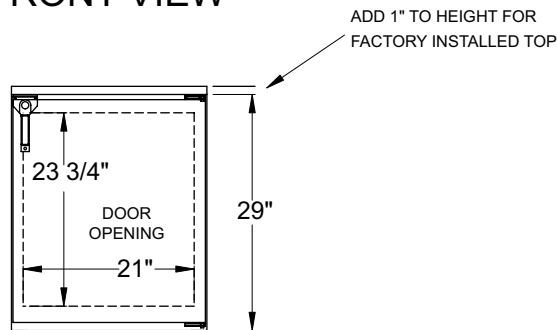
24" Low Profile Dry Storage Cabinet

Dimensional Information

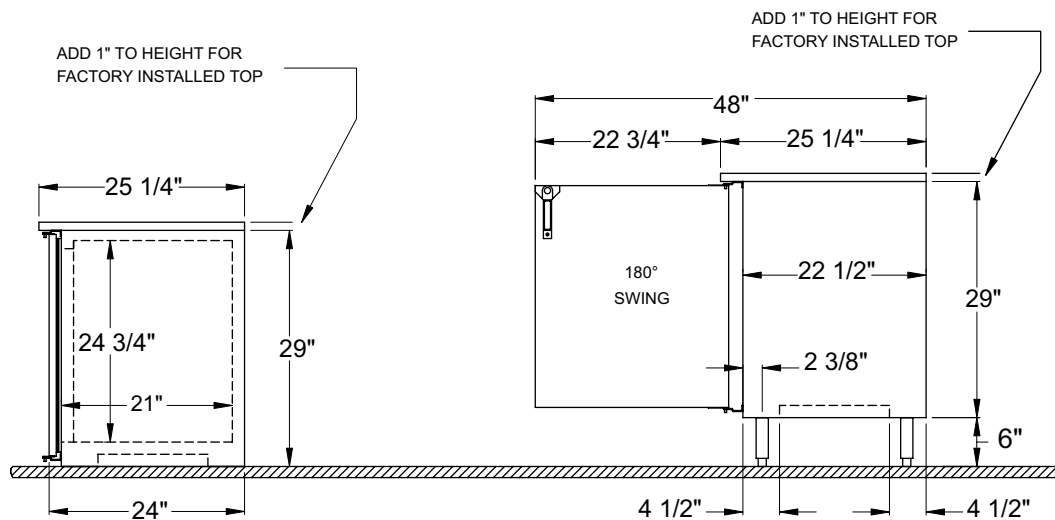
PLAN VIEW



FRONT VIEW



SIDE VIEWS



STANDARD CABINET

WITH OPTIONAL 6" LEGS