

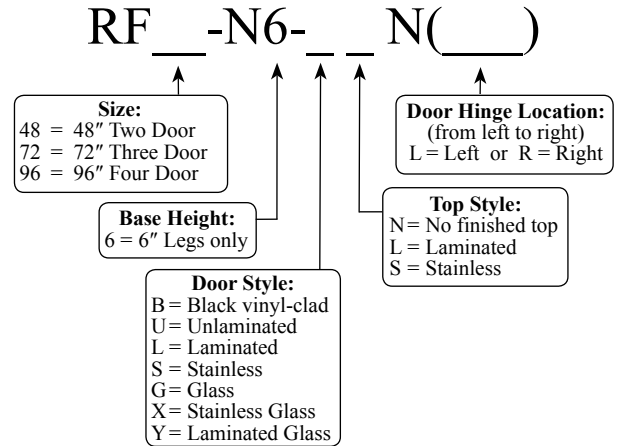


| | |
|--------------------------|------------|
| Project: _____ | AIA# _____ |
| Item #: _____ Qty: _____ | SIS# _____ |
| Model #: _____ | |

**Rear Feed Coolers
Two, Three and Four Door
Models**



RF72-N6-BNN(RRR)



Standard Features

- Open back design allows for loading from the rear
- Refrigeration by attached walk-in cooler
- All stainless steel interior construction
- Foamed-in-place insulation
- Galvanized steel sub-top
- Black vinyl-clad steel exterior front and sides
- Stainless steel die cast handle
- Leg sockets recessed into base
- 1/2" thick ABS plastic threshold scuff plate
- 180° swinging doors

Specifications

Lighting

- Ceiling mounted fluorescent light fixtures are recommended, but are NOT provided

Refrigeration

- By attached walk-in cooler refrigeration system - consult with walk-in cooler manufacturer for proper condensing unit size

Shelving

- Two adjustable coated shelves and one bottom coated rack per door included

Capacity

- Models RF48 RF72 RF96
- Long neck bottles, cases 14.0 21.88 29.75

Legs

- 1-5/8" diameter
- Stainless steel bullet feet

Materials

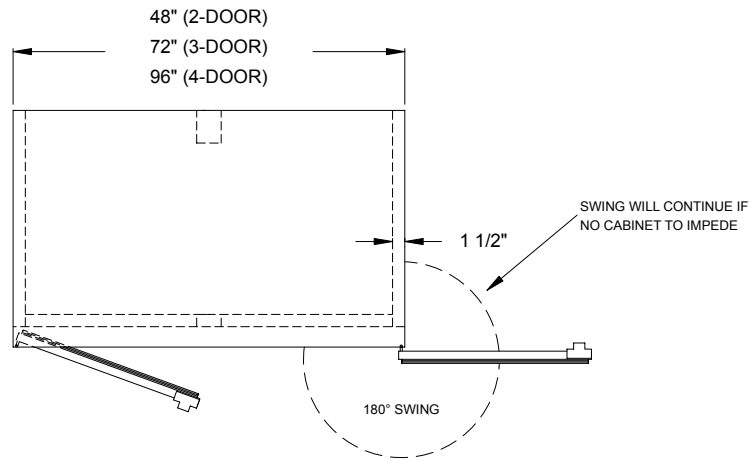
- 22 gauge stainless steel parts include: interior floor, walls, front of cabinet, and ceiling
- 22 gauge black vinyl-clad parts include: sides and standard doors
- 22 gauge galvanized steel parts include: exterior sub-top
- 16 gauge stainless steel parts include: legs
- 16 gauge galvanized steel parts include: base
- 16 gauge zinc plated CR steel parts include: leg sockets
- 12 gauge zinc plated CR steel parts include: hinges, hinge brackets, and lock brackets

| | |
|--|------------------------|
| <p>Glastender, Inc. • 5400 N Michigan Rd • Saginaw, MI • 48604-9780 989.752.4275 • 800.748.0423 • Fax 989.752.4444 www.glastender.com</p> | <p>Approval/Notes:</p> |
| <p>Specifications subject to change without notice. For current specifications please visit our website.</p> | |

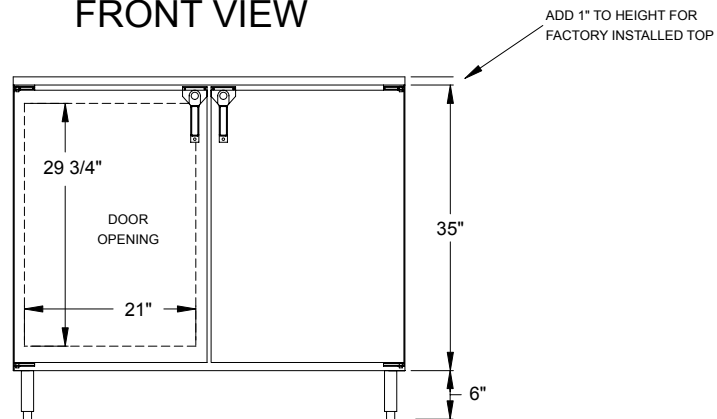
Rear Feed Coolers

Dimensional Information

PLAN VIEW



FRONT VIEW



SIDE VIEWS

