



FV48-SS(LR)



Project: _____	AIA# _____
Item #: _____ Qty: _____	SIS# _____
Model #: _____	

**Front Venting Coolers  
One and Two Door  
Self-Contained**

FV - (LR)

<b>Size:</b> 24 = 24" One Door 48 = 48" Two Door	<b>Door Hinge Location†:</b> (from left to right) L = Left or R = Right
<b>Door Style:</b> B = Black vinyl clad U = Unlaminated L = Laminated S = Stainless G = Glass X = Stainless Glass Y = Laminated Glass	<b>Top Style:</b> N = No finished top L = Laminated S = Stainless D = Drainboard

† The door on the FV24 may hinge either Left or Right. The hinges on the FV48 are only available as LR.

**Standard Features**

- Self-contained
- All stainless steel interior construction
- Foamed-in-place insulation
- Galvanized steel sub-top
- Black vinyl-clad steel exterior front and sides
- Six foot grounded cord and plug (exits at rear)
- Stainless steel die cast handle
- Automatic defrost timer
- Stainless steel evaporator housing with separate removable evaporator drain pan
- Automatic condensate evaporator
- 1/2" thick ABS plastic threshold scuff plate
- 180° swinging doors

**Specifications**

- Electrical**
- 120V, 1 phase, 60 Hz, 5.1 full load amps
  - Dedicated 15 amp circuit is required
  - Includes a 6 foot grounded cord and plug which exits the back of refrigeration compartment
- Refrigeration**
- 1/5 HP, R22 refrigerant
- Operating Range**
- 34° F to 40° F
- Plumbing**
- Automatic condensate evaporator. No drain connection required
- Shelving**
- One adjustable coated shelf and one bottom coated rack per door included
- Legs**
- 1-5/8" diameter
  - Stainless steel bullet feet

- Materials**
- 22 gauge stainless steel parts include: interior floor, walls, ceiling, front of cabinet, and evaporator housing
  - 22 gauge black vinyl-clad parts include: sides, standard door, and compressor compartment housing
  - 22 gauge galvanized steel parts include: exterior sub-top and back
  - 16 gauge stainless steel parts include: legs
  - 16 gauge galvanized steel parts include: base
  - 12 gauge stainless steel parts include: hinges, hinge brackets, and lock brackets

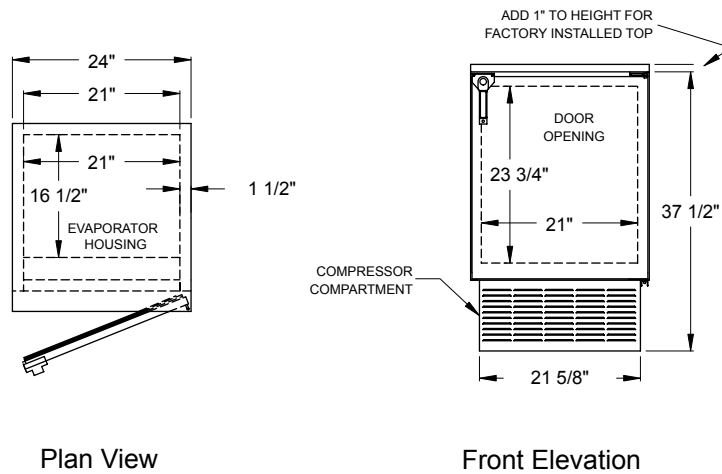
<b>Glastender, Inc.</b> • 5400 N Michigan Rd • Saginaw, MI • 48604-9780 989.752.4275 • 800.748.0423 • Fax 989.752.4444 www.glastender.com	Approval/Notes:
---	-----------------

Specifications subject to change without notice. For current specifications please visit our website.

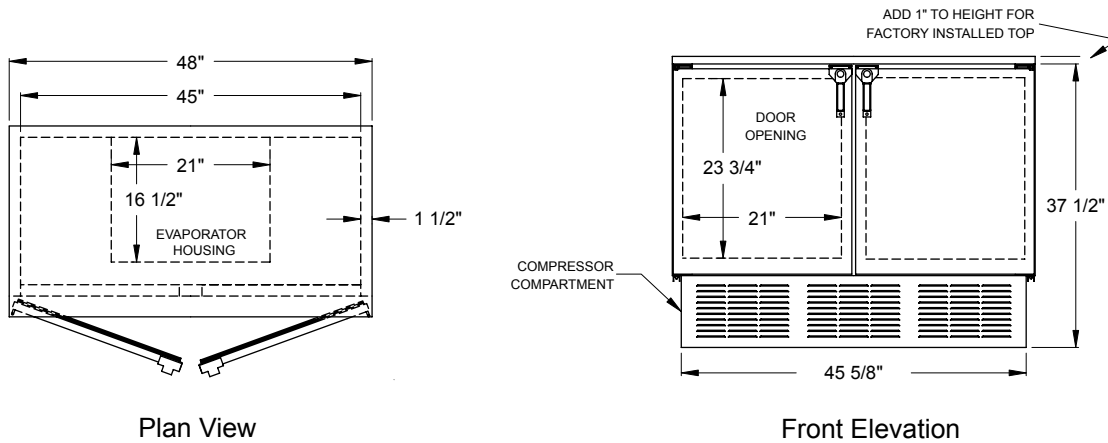
# Self-Contained Front Venting Coolers

## Dimensional Information

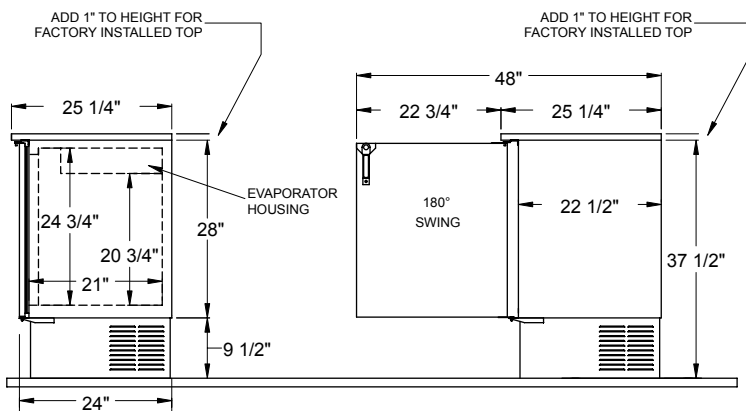
### FV24



### FV48



## Side View All Models



Model	Capacity: 12 oz. bottle	Refrigeration	Voltage	Amps
FV24	4.08 cases	1/5 H.P. / R22	120v / 60 Hz / 1 phase	5.1 full load
FV48	9.33 cases	1/5 H.P. / R22	120v / 60 Hz / 1 phase	5.1 full load



5400 N Michigan Rd • Saginaw, MI • 48604-9780  
 989.752.4275 • 800.748.0423 • Fax 989.752.4444  
[www.glastender.com](http://www.glastender.com)