

Project: _____	AIA# _____
Item #: _____ Qty: _____	SIS# _____
Model #: _____	

Low Profile Coolers One, Two, Three and Four Door Self-Contained



LP60L-GN(LR)

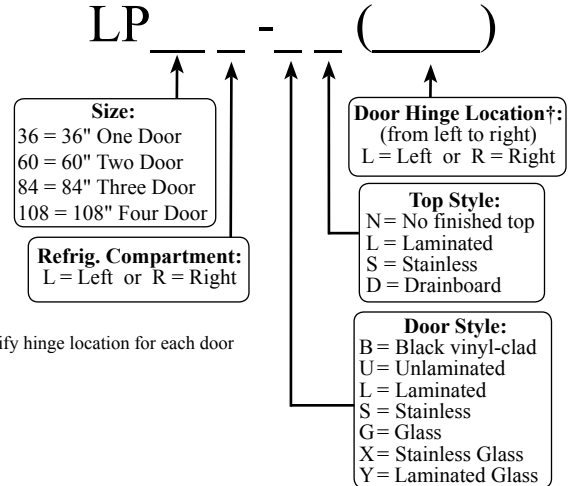


Intertek 4004503



Intertek

Conforms to NSF/ANSI STD 7 and UL STD 471
Certified to CSA STD C22.2 No. 120
Meets NSF 7 requirements for open food storage



Standard Features

- DOE 2017 compliant
- All stainless steel interior with radius corners is easy to keep clean
- Locking doors
- LED interior lighting
- Heated mullion to minimize condensation
- Evaporator above compressor compartment to maximize storage capacity
- Available without a finished top for integrated installation below customer supplied counter top
- Easy to remove condenser filter can be regularly cleaned to maintain condenser coil efficiency
- Leg sockets recessed into base
- 180° swinging doors

Specifications

- Electrical**
- 120V, 1 phase, 60 Hz
 - Full load amps - LP36 - 3.0, LP60, LP84, LP108 -5.7
 - Dedicated 15 amp circuit is required
 - Includes a 6 foot NEMA 5-15P grounded cord and plug which exits the back of refrigeration compartment
- 5-15P
- Refrigeration**
- R134a refrigerant
 - Compressor - LP36 - 1/8 HP, LP60, LP84, LP108 - 1/4 HP
 - Heat rejection - LP36 - 1228 BTU/Hr, LP60, LP84, LP108 - 2334 BTU/Hr
- Operating Range**
- 34°F (1°C) to 40°F (4°C)
- Plumbing**
- Automatic condensate evaporator. No drain connection required.
- Shelving**
- One adjustable coated shelf and one bottom coated rack per door included
- Materials**
- Stainless steel parts include: interior, front of cabinet, hinges, hinge and lock brackets, and optional legs
 - Black vinyl-clad steel parts include: standard sides, doors, and compressor cover
 - Galvanized steel parts include: exterior sub-top, back and bottom
 - Zinc plated CR steel parts include: leg sockets
- Weight Bearing Capacity**
- Counter tops and other accessories should not exceed 500 pounds per door
- | Capacities | LP36 | LP60 | LP84 | LP108 |
|-------------------------|------|------|------|-------|
| • 12 oz. bottles, cases | 5.2 | 11.5 | 18.0 | 24.5 |
| • 750ml wine bottles | 36 | 84 | 126 | 168 |

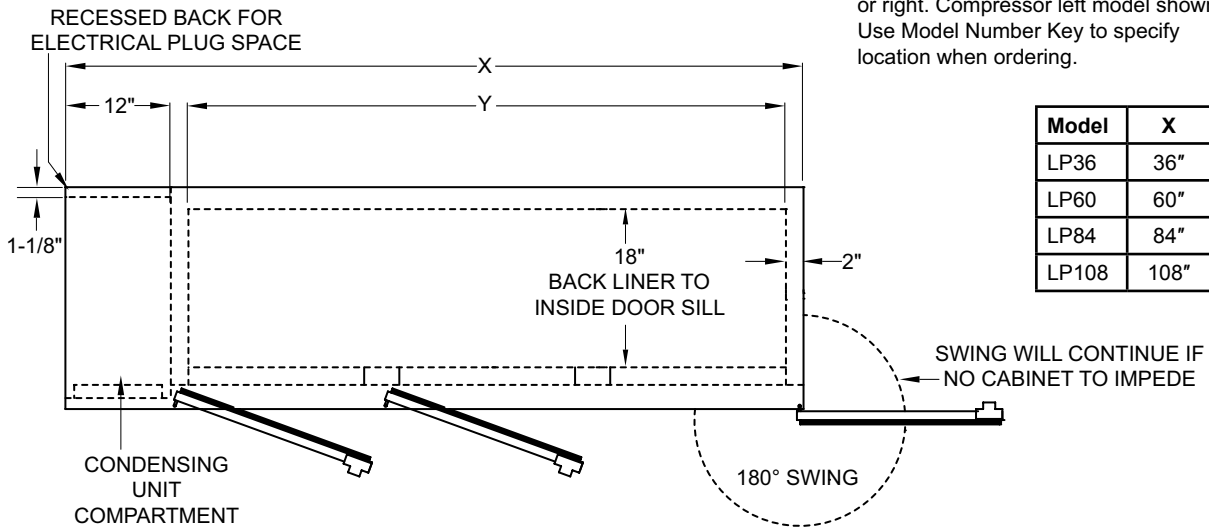
<p>Glastender, Inc. • 5400 N Michigan Rd • Saginaw, MI • 48604-9780 989.752.4275 • 800.748.0423 • Fax 989.752.4444 www.glastender.com</p>	<p>Approval/Notes:</p>
--	------------------------

Specifications subject to change without notice. For current specifications please visit our website.

Self-Contained Low Profile Coolers

Dimensional Information

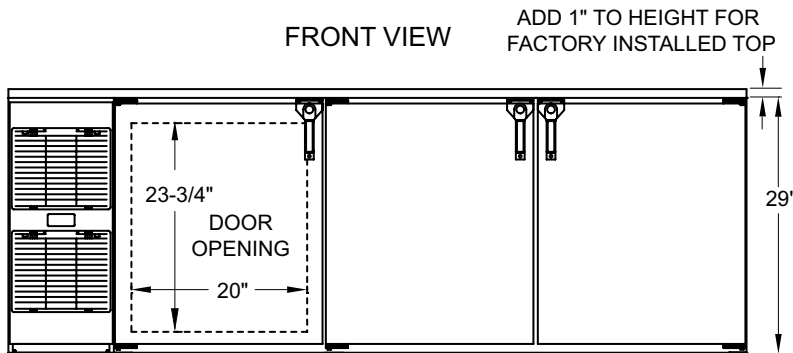
PLAN VIEW



NOTE: Available with compressor left or right. Compressor left model shown. Use Model Number Key to specify location when ordering.

Model	X	Y	DOORS
LP36	36"	20"	1
LP60	60"	44"	2
LP84	84"	68"	3
LP108	108"	92"	4

FRONT VIEW



SIDE VIEWS

