



LP48L-BL(LR)



Intertek

4004503

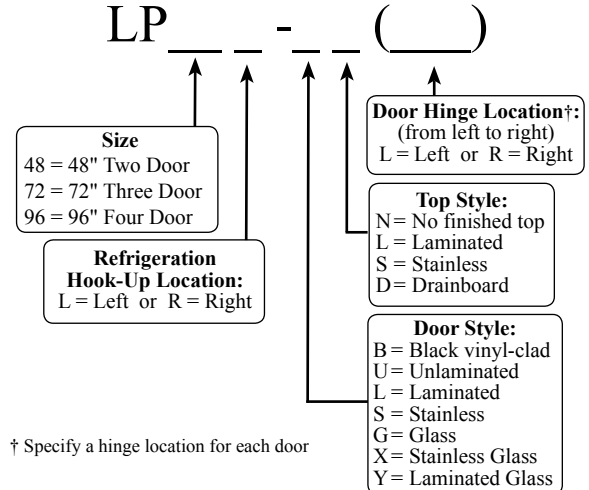
Conforms to NSF/ANSI STD 7 and UL STD 471  
Certified to CSA STD C22.2 No. 120  
Meets NSF 7 requirements for open food storage



Intertek

Project: _____	AIA# _____
Item #: _____ Qty: _____	SIS# _____
Model #: _____	

## Low Profile Coolers Two, Three and Four Door Remote



### Standard Features

- DOE 2017 compliant
- Remote unit
- All stainless steel interior with radius corners is easy to keep clean
- Locking doors
- LED interior lighting
- Heated mullion to minimize condensation
- Available without a finished top for integrated installation below customer supplied bar top
- 180° swinging doors
- Leg sockets recessed into base
- Stainless steel evaporator housing with separate removable evaporator drain pan

### Specifications

**Electrical**

- 120V, 1 phase, 60 Hz
- Dedicated 15 amp circuit is required
- 14 gauge wire connection is made inside the cooler next to evaporator housing - interior access is through one of the 3/4" side knock-out holes (electrician's choice)

**Refrigeration**

- R134a or R404a expansion valve & temperature control included. Specify type required when ordering.
- Refrigeration system capacity requirements\*:  
LP48 - 1,000 BTU/hr  
LP72 - 1,300 BTU/hr  
LP96 - 1,600 BTU/hr
- \* BTU/hr design loads are figured assuming 85° F ambient, 15° F evaporator temperature, all glass doors, maximum internal loading, and average compressor cycling. No solar heat gain has been accounted for.
- All refrigeration hookups are made at the installation site

**Plumbing**

- A ten-foot length of 1/2" ID by 5/8" OD plastic tubing is provided to drain condensate. The tubing should exit through one of the 3/4" side knock-out holes (installer's choice). The maximum drainage is one ounce per hour - consult local codes for compliance - a floor drain may be required.

**Shelving**

- One adjustable coated shelf and one bottom coated rack per door included

**Materials**

- Stainless steel parts include: interior, front of cabinet, hinges, hinge and lock brackets, and optional legs
- Black vinyl-clad steel parts include: standard sides and doors
- Galvanized steel parts include: exterior sub-top, back and bottom
- Zinc plated CR steel parts include: leg sockets

**Weight Bearing Capacity**

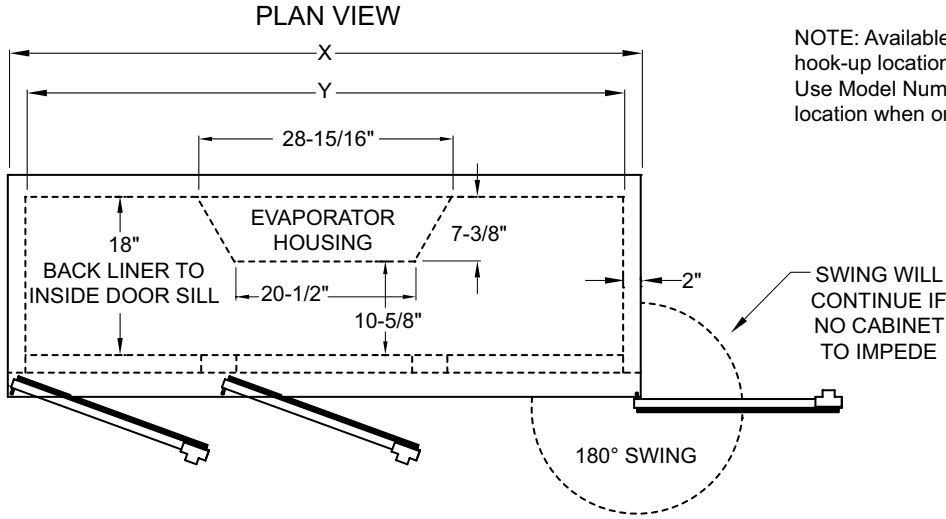
- Counter tops and other accessories should not exceed 500 pounds per door

Capacities	LP48	LP72	LP96
• 12 oz. bottles, cases	10.3	16.8	23.3
• 750ml wine bottles	84	126	168

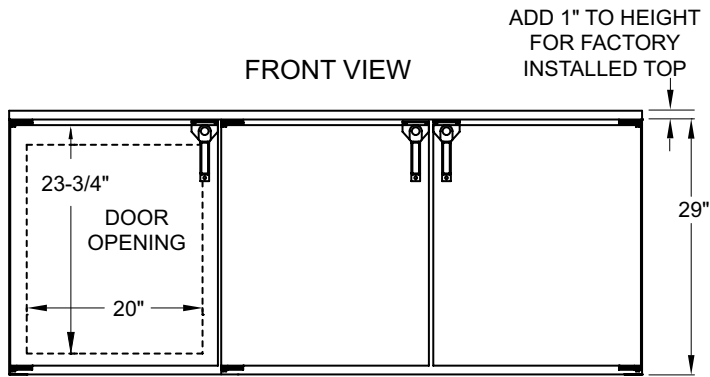
<p><b>Glastender, Inc.</b> • 5400 N Michigan Rd • Saginaw, MI • 48604-9780 989.752.4275 • 800.748.0423 • Fax 989.752.4444 www.glastender.com</p>	Approval/Notes:
----------------------------------------------------------------------------------------------------------------------------------------------------------	-----------------

# Remote Low Profile Coolers

## Dimensional Information

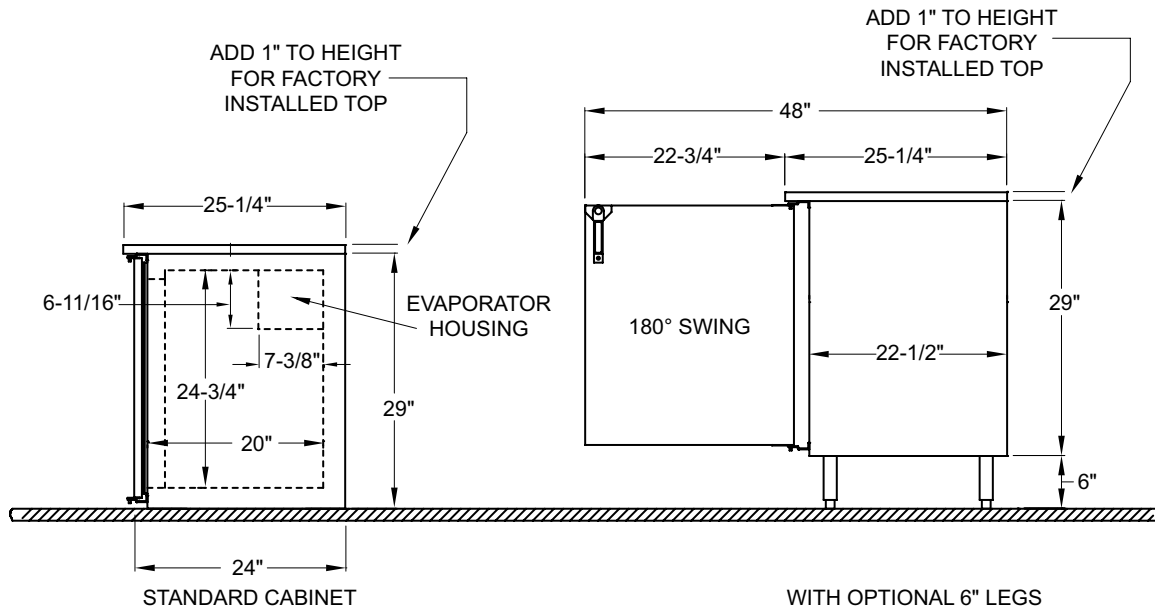


NOTE: Available with refrigeration hook-up location left or right. Use Model Number Key to specify location when ordering.



Model	X	Y	Doors
LP48	48"	44"	2
LP72	72"	68"	3
LP96	96"	92"	4

### SIDE VIEWS



5400 N Michigan Rd • Saginaw, MI • 48604-9780  
 989.752.4275 • 800.748.0423 • Fax 989.752.4444  
 www.glastender.com