



BB48-L1-BSN(LR)

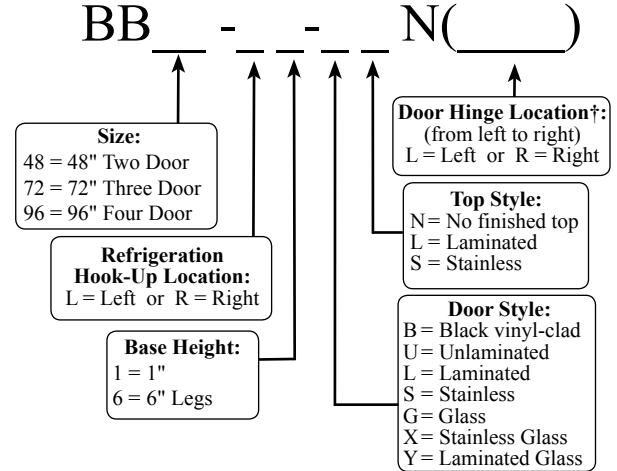


COMPONENT

NSF standard 7 listed for open food storage

Project: _____	AIA# _____
Item #: _____ Qty: _____	SIS# _____
Model #: _____	

Back Bar Coolers Two, Three and Four Door Remote



Standard Features

- | | |
|--|---|
| <ul style="list-style-type: none"> Remote Unit All stainless steel interior construction with radius interior corners for easy cleaning CFC free foamed-in-place insulation Galvanized steel sub-top | <ul style="list-style-type: none"> Black vinyl-clad steel exterior front and sides Stainless steel die cast handle Leg sockets recessed into base 1/2" thick ABS plastic threshold scuff plate 180° swinging doors |
|--|---|

Specifications

- Electrical*
- 120V, 1 phase, 60 Hz
 - Dedicated 15 amp circuit is required
 - 14 gauge wire connection is made inside the cooler next to evaporator housing - interior access is through one of the 3/4" side knock-out holes (electrician's choice)
- Refrigeration*
- R134a or R404a expansion valve & temperature control included. Specify type required when ordering.
 - Recommended condensing unit:
BB48 - 1/4 HP which has an approximate rating of 2,200 BTU/H at +20°F evaporator temperature
BB72 and BB96 - 1/3 HP which has an approximate rating of 3,064 BTU/H at +20°F evaporator temperature
 - All refrigeration hookups are made at the installation site
- Plumbing*
- A ten foot length of 1/2" ID by 5/8" OD plastic tubing is provided to drain condensate. The tubing should exit through one of the 3/4" side knock-out holes (installer's choice). The maximum drainage is one ounce per hour - consult local codes for compliance - a floor drain may be required

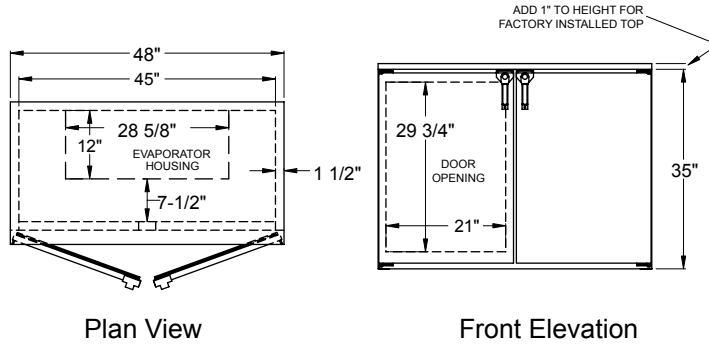
- Shelving*
- Two adjustable coated shelves and one bottom coated rack per door included
- Legs*
- 1-5/8" diameter
 - Stainless steel bullet feet
- Materials*
- 22 gauge stainless steel parts include: interior floor, walls, ceiling, front of cabinet, and evaporator housing
 - 22 gauge black vinyl-clad parts include: sides, standard doors, and compressor compartment housing
 - 22 gauge galvanized steel parts include: exterior sub-top and back
 - 16 gauge stainless steel parts include: legs
 - 16 gauge galvanized steel parts include: base and compressor compartment base plate
 - 16 gauge zinc plated CR steel parts include: leg sockets
 - 12 gauge stainless steel parts include: hinges, hinge brackets, and lock brackets

<p>Glastender, Inc. • 5400 N Michigan Rd • Saginaw, MI • 48604-9780 989.752.4275 • 800.748.0423 • Fax 989.752.4444 www.glastender.com</p>	<p>Approval/Notes:</p>
<p>Specifications subject to change without notice. For current specifications please visit our website.</p>	

Remote Back Bar Coolers

Dimensional Information

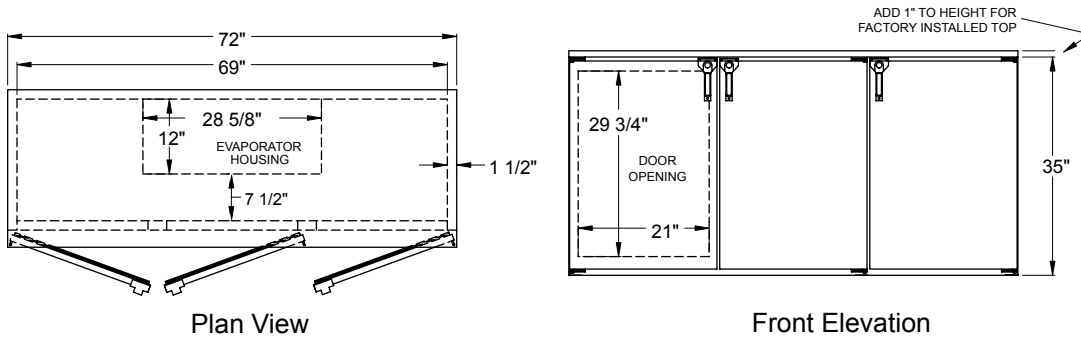
BB48



Plan View

Front Elevation

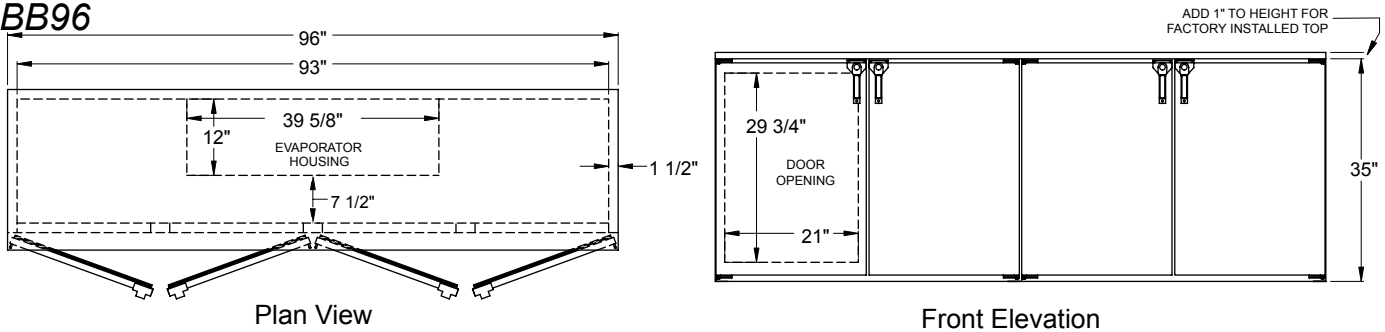
BB72



Plan View

Front Elevation

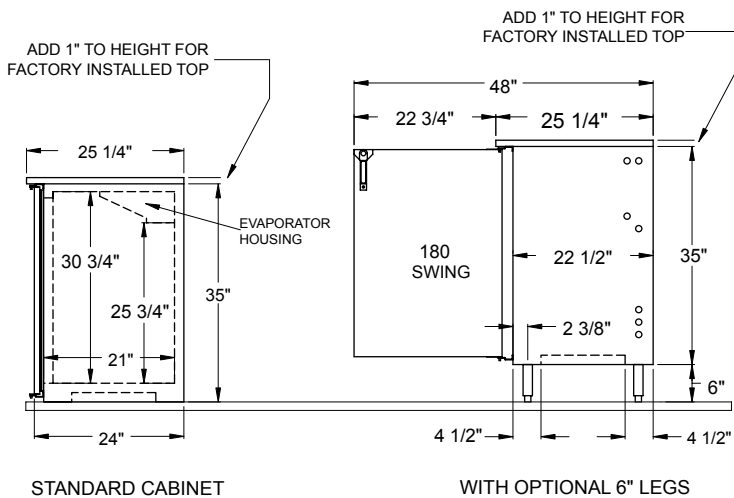
BB96



Plan View

Front Elevation

Side View All Models



STANDARD CABINET

WITH OPTIONAL 6" LEGS

Model	Capacity: 12 oz. bottle / 1/2 barrels	Refrigeration	Voltage
BB48	13.6 cases / 2 half barrels	1/4 H.P. Recommended	120v / 60 Hz / 1 phase
BB72	22.2 cases / 4 half barrels	1/3 H.P. Recommended	120v / 60 Hz / 1 phase
BB96	29.9 cases / 5 half barrels	1/3 H.P. Recommended	120v / 60 Hz / 1 phase



5400 N Michigan Rd • Saginaw, MI • 48604-9780
 989.752.4275 • 800.748.0423 • Fax 989.752.4444
 www.glastender.com