



BB60R-SS(LD)
with one door
converted to drawers



Intertek 4004503 Intertek

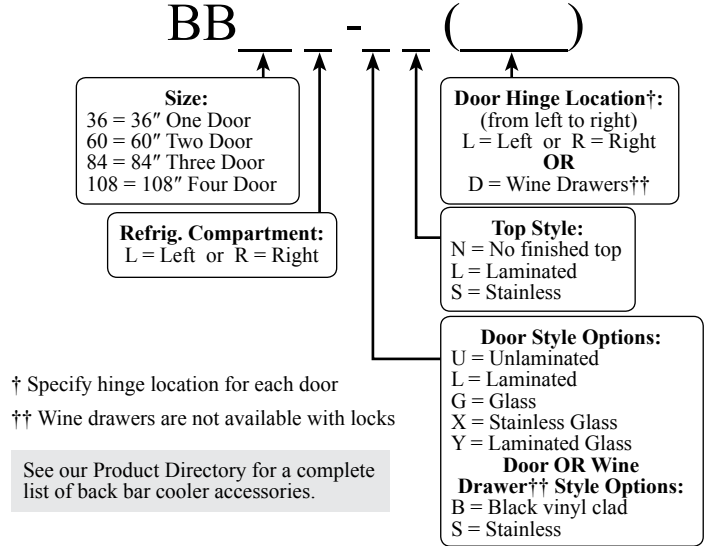
Conforms to NSF/ANSI STD 7* and UL STD 471
Certified to CSA STD C22.2 No. 120

*Door models are NSF 7 for open food storage. Units
with drawers are NSF 7 for closed container products.



Project: _____	AIA# _____
Item #: _____ Qty: _____	SIS# _____
Model #: _____	

Back Bar Coolers One, Two, Three and Four Door Self-Contained



Standard Features

- DOE 2017 compliant
- All stainless steel interior with radius corners is easy to keep clean
- Locking door(s) (drawers sections do not lock)
- LED interior lighting
- Heated mullion to minimize condensation
- Evaporator above compressor compartment to maximize storage capacity
- Any door opening may be converted to a wine drawer section or to draft dispensing
- Available without a finished top for integrated installation below customer supplied bar top
- Easy to remove condenser filter can be regularly cleaned to maintain condenser coil efficiency
- 180° swinging door

Specifications

Electrical

- 120V, 1 phase, 60 Hz
- Full load amps - BB36 - 3.0, BB60, BB84, BB108 - 5.7
- Dedicated 15 amp circuit is required
- Includes a 6 foot NEMA 5-15P grounded cord and plug which exits the back of refrigeration compartment



Refrigeration

- R134a
- Compressor - BB36 - 1/8HP, BB60, BB84, BB108 - 1/4HP
- Heat rejection - BB36 - 1228 BTU/Hr, BB60, BB84, BB108 - 2334 BTU/Hr

Operating Range

- 34°F (1°C) to 40°F (4°C)

Plumbing

- Automatic condensate evaporator. No drain connection required.

Shelving

- Two adjustable coated shelves and one bottom coated rack per door included (does not include wine drawer sections)

Materials

- Stainless steel parts include: interior, front of cabinet, hinges, hinge and lock brackets, and optional legs
- Black vinyl-clad steel parts include: standard sides, doors and compressor cover
- Galvanized steel parts include: exterior sub-top, back and bottom
- Zinc plated CR steel parts include: leg sockets

Weight Bearing Capacity

- Counter tops and other accessories should not exceed 500 pounds per door

Capacities	BB36	BB60	BB84	BB108
• 12 oz. bottles, cases	7.8	17.3	27.1	36.8
• 750ml wine bottles*	70	164	248	332
• 1/2 barrel kegs	1	2	4	5
• 1/6 barrel kegs	4	8	14	18

*Drawer units hold up to 60 wine bottles per 24" section

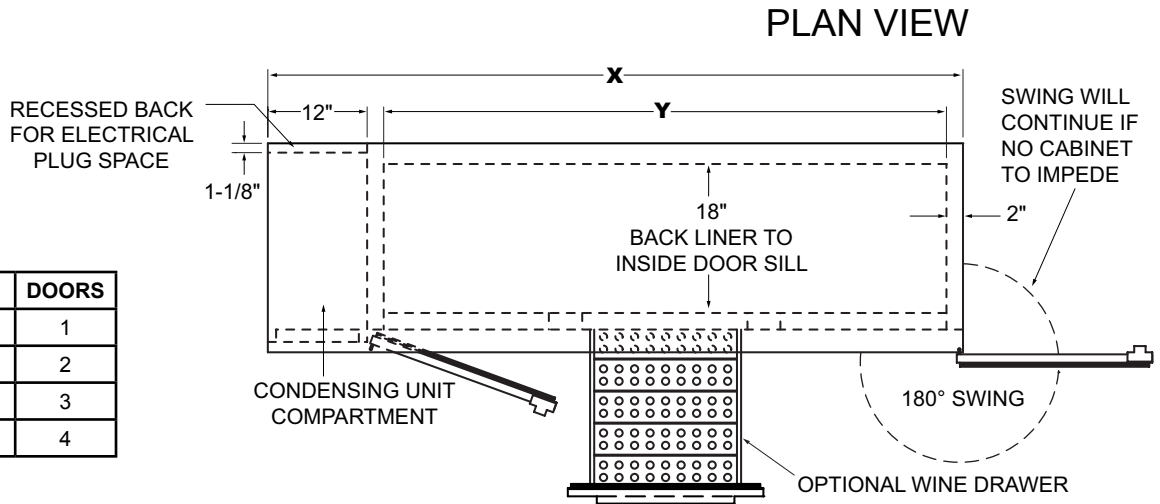
<p>Glastender, Inc. • 5400 N Michigan Rd • Saginaw, MI • 48604-9780 989.752.4275 • 800.748.0423 • Fax 989.752.4444 www.glastender.com</p>	Approval/Notes:
--	-----------------

Specifications subject to change without notice. For current specifications please visit our website.

Self-Contained Back Bar Coolers

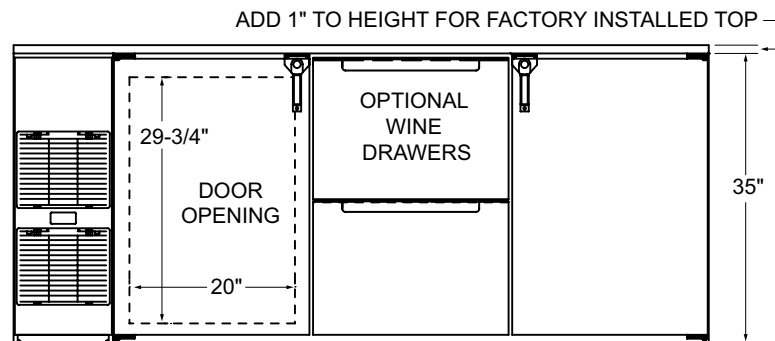
Dimensional Information

Model	X	Y	DOORS
BB36	36"	20"	1
BB60	60"	44"	2
BB84	84"	68"	3
BB108	108"	92"	4

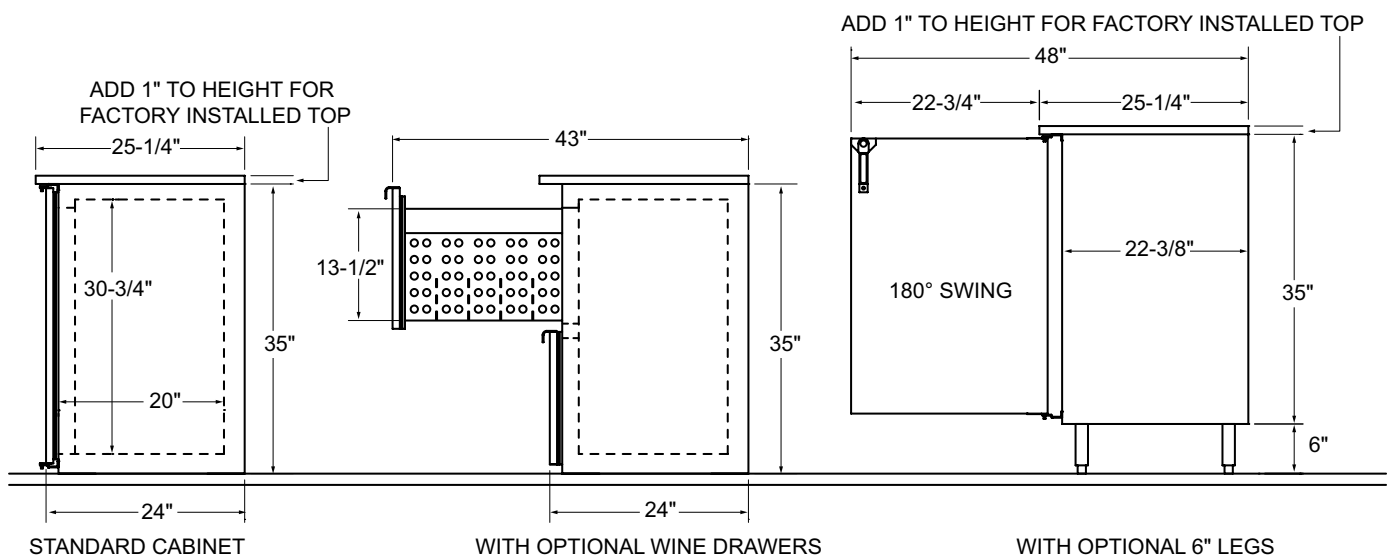


FRONT VIEW

Note: Available with compressor left or right. Compressor left model shown. Use Model Number Key to specify location when ordering.



SIDE VIEWS



5400 N Michigan Rd • Saginaw, MI • 48604-9780
 989.752.4275 • 800.748.0423 • Fax 989.752.4444
 www.glastender.com