

Project: _____	AIA# _____
Item #: _____ Qty: _____	SIS# _____
Model #: _____	

## 24" Back Bar Cooler One Door Self-Contained



BB24-BS(L)

BB24- ( )

**Door Style:**  
 B = Black vinyl-clad  
 U = Unlaminated  
 L = Laminated  
 S = Stainless

**Door Hinge Location:**  
 L = Left or R = Right

**Top Style:**  
 N = No finished top  
 L = Laminated  
 S = Stainless



Intertek Intertek

4004503

Conforms to NSF/ANSI STD 7 and UL STD 471

Certified to CSA STD C22.2 No. 120

Meets NSF 7 requirements for closed container products

### Standard Features

- Self-contained
- All stainless steel interior construction
- CFC free foamed-in-place insulation
- Galvanized steel sub-top
- Black vinyl-clad steel exterior front and sides
- Six foot grounded cord and plug (exits at rear)
- Stainless steel die cast handle with lock
- Automatic defrost timer
- Stainless steel evaporator housing with separate removable evaporator drain pan
- Automatic condensate evaporator
- Leg sockets recessed into base
- 1/2" thick ABS plastic threshold scuff plate
- 180° swinging doors

### Specifications

#### Electrical

- 120V, 1 phase, 60 Hz, 3.0 full load amps
- Dedicated 15 amp circuit is required
- Includes a 6 foot NEMA 5-15P grounded cord and plug which exits the bottom rear



#### Refrigeration

- 1/8 HP, R134a refrigerant
- 1,228 BTU/hr heat rejection

#### Operating Range

- 34°F (1°C) to 40°F (4°C)

#### Plumbing

- Automatic condensate evaporator. No drain connection required.

#### Shelving

- Two adjustable coated shelves and one bottom coated rack included

#### Capacity

- 4.6 cases of long neck bottle beer

#### Legs

- 1-5/8" diameter
- Stainless steel bullet feet

#### Materials

- 22 gauge stainless steel parts include: interior floor, walls, ceiling, front of cabinet, and evaporator housing
- 22 gauge black vinyl-clad parts include: sides and standard door
- 22 gauge galvanized steel parts include: exterior sub-top and back
- 16 gauge stainless steel parts include: legs
- 16 gauge galvanized steel parts include: base
- 16 gauge zinc plated CR steel parts include: leg sockets
- 12 gauge stainless steel parts include: hinges, hinge brackets, and lock brackets

#### Weight Bearing Capacity

- Counter tops and other accessories should not exceed 400 pounds

Glastender, Inc. • 5400 N Michigan Rd • Saginaw, MI • 48604-9780  
 989.752.4275 • 800.748.0423 • Fax 989.752.4444  
[www.glastender.com](http://www.glastender.com)

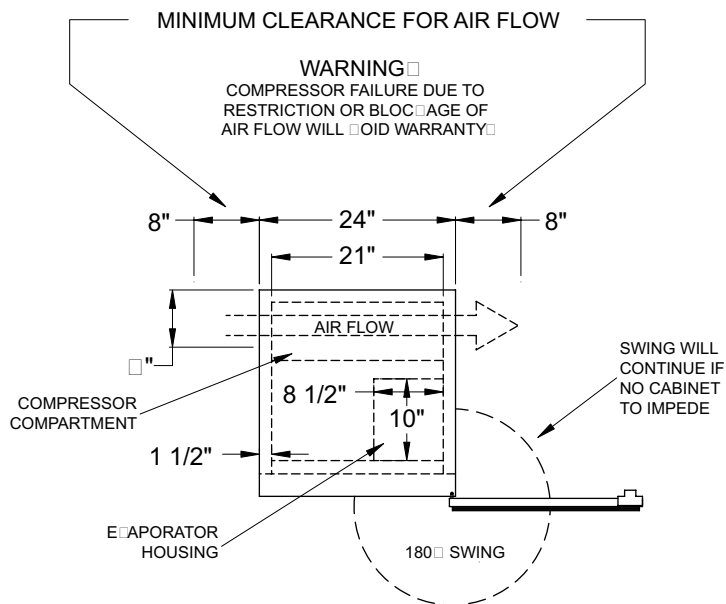
Approval/Notes:

Specifications subject to change without notice. For current specifications please visit our website.

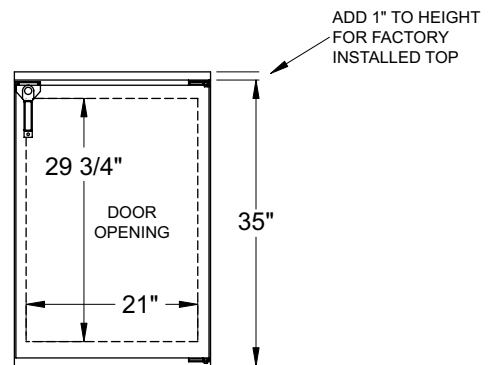
# One Door Self-Contained Back Bar Cooler

## Dimensional Information

### PLAN VIEW



### FRONT VIEW



### SIDE VIEWS

