

Project: _____	AIA# _____
Item #: _____ Qty: _____	SIS# _____
Model #: _____	

Mixology Stations

MXS60-CP10, MXS72-CP10

Standard Features



- All stainless steel construction.
- Complete line up is flush at 24" deep to match adjacent underbar.
- The SMHA-4 soda manifold housing is designed to house the manifold of Wunder-Bar® or Schroeder America™ 8 to 14 button soda guns.
- The condiment well and ice bin are foamed-in-place insulated and include a PVC plastic breaker strip around the liner to prevent thermal transfer so ice lasts longer.
- The ice bin includes a built-in ten circuit cold plate, sliding stainless steel cover, and stainless steel ice bin divider.
- The condiment well provides ice-chilled storage for six pint-size (16 oz.) condiment cups and includes two lift-off stainless steel covers.
- A single speed rail is included.
- The MFT-20 model mixology unit includes a push-down rinser faucet to rinse shaker cans, a lift-out perforated plastic sink strainer, a 6" diameter seamless welded draining dipper well and faucet for mixology tools, an 8" x 11" cutting board that is securely mounted but easily removable for cleaning, and an ice scoop well.
- The MXS72-CP10 model also includes an elixir bottle well with BRM15 stainless steel rack to hold 15 elixir bottles (NOTE: Recommend Tablecraft 916 (16 oz.) or 9085 (8.5 oz.) olive oil bottles)

All faucets are NSF/ANSI 61, Annex G low lead compliant

To view underbar installation instructions, please visit: http://www.glastender.com/PDF/F-750-165_Underbar_Installation_Instructions.pdf
 To view cleaning and care instructions, please visit: http://www.glastender.com/PDF/F-423-011_ss_clean_care.pdf

Specifications

Drains

- Elixir bottle well (model MXS72-CP10 only): 1-1/2" tailpiece
- Ice bin with coldplate: 3/4" MPT
- Condiment well: 1-1/2" tailpiece

Drain for Sinks and Dipper Wells

- 1-1/2" I.P.S. Threaded drain will fit Dearborn part #8033 slipnut and part #W-573P washer.

Backsplash Faucet

- Backsplash mounted on 4" centers, accepts 3/8" sink leads, hot and cold water connections required

Dipper Well Faucet

- Accepts 3/8" cold water lead

Rinser Faucet

- Accepts 3/8" cold water lead
- 30 psi water regulator included

Sink Bowl Dimensions

- 9-1/4" by 11-1/2" by 6" deep

Sink Strainer

- Perforated plastic

Ice Capacity (Main Ice Bin)

- 67 pounds

Ice Bin Cover

- Two-piece sliding cover, 20 gauge stainless steel

Ten Circuit Cold Plate

- Connection is 5/16" O.D. stainless steel tubing with swaged end

Liner Depth

- 10-1/2"

Legs

- 1-5/8" diameter 16 gauge stainless steel
- Stainless steel bullet feet

Materials

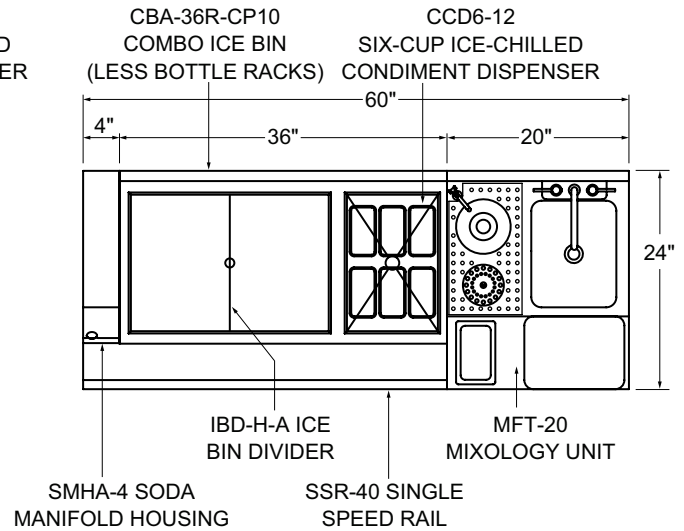
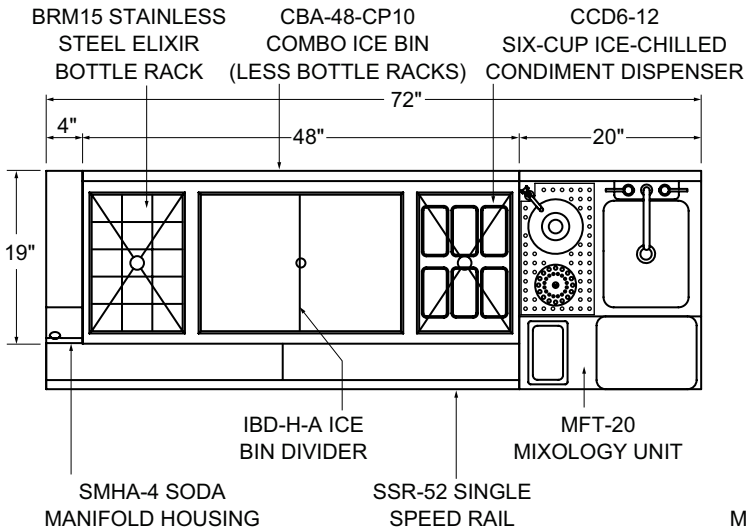
- 20 gauge stainless steel
- 14 gauge stainless steel parts include: speed rail ends
- PVC plastic breaker strip around opening of ice bin liner and on speed rail

Glastender, Inc. • 5400 North Michigan Road • Saginaw, MI • 48604-9780 989.752.4275 • 800.748.0423 • Fax 989.752.4444 www.glastender.com	Approval/Notes:
Specifications subject to change without notice. For current specifications please visit our website.	

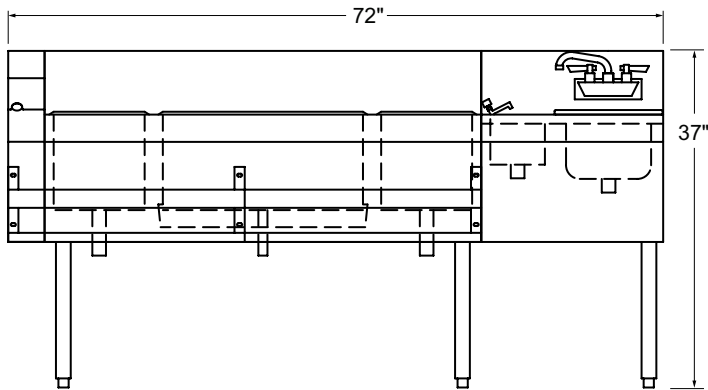
Mixology Stations

Dimensional Information

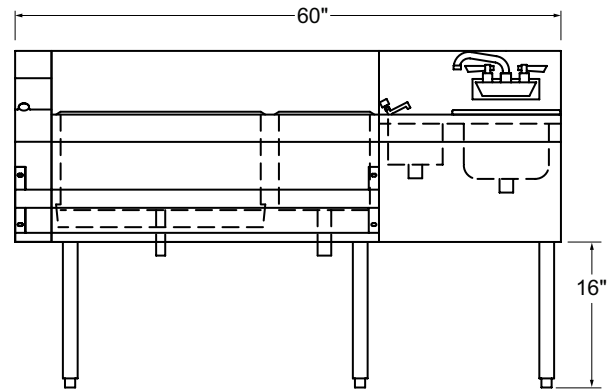
PLAN VIEWS



FRONT ELEVATIONS



MXS72-CP10



MXS60-CP10

Rinser Faucet Installation Notes

- Important: Unit must be installed in conformance with applicable federal, state, and local plumbing codes, including adequate backflow when required.
- Install in-line water regulator (included).
- A separate shut-off valve is recommended (not included).

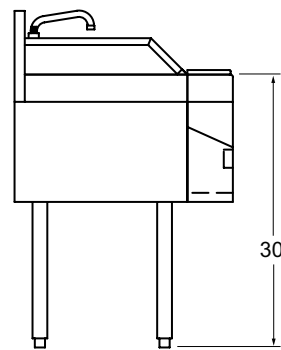
03012383
Rinser Faucet
Assembly



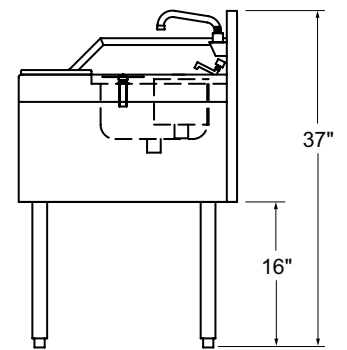
Intertek

4004503

Conforms to NSF/ANSI STD 372



LEFT SIDE
ELEVATION



RIGHT SIDE
ELEVATION

NOTE: THE SODA MANIFOLD HOUSING HAS AN OVERALL HEIGHT OF 34"



5400 N Michigan Rd • Saginaw, MI • 48604-9780
989.752.4275 • 800.748.0423 • Fax 989.752.4444
www.glastender.com

Printed in USA