



PBC48-12



Intertek
 4004503
 Conforms to ANSI/NSF STD 2

Project: _____	AIA# _____
Item #: _____ Qty: _____	SIS# _____
Model #: _____	

Portable Bar for Stackable Cups

PBC48-12, PBC48-18, PBC54-12,
 PBC54-18, PBC60-12, PBC60-18

Standard Features

- Weather resistant stainless steel construction.
- Stainless steel bottle rail with PVC plastic sound deadening cover. Rail includes clear snap-on liquor identification label cover.
- Cup storage well for three rows up to 4-1/4" in diameter.
- Cocktail ice bin with sliding cover and condiment cup area. Rear condiment area has hinged stainless steel sanitary cover with three (12") or four (18") cups.
- Iced beverage storage bin with separate drain to prevent contamination of ice used to make cocktails. Drain includes flexible hose and on/off valve for draining when convenient.
- Foamed-in-place insulation and a PVC plastic breaker strip around ice bin liners to prevent thermal transfer from outside the ice bin so ice lasts longer.
- 6-gallon plastic drain tank with on-off valve to collect melting ice water from cocktail bin.
- Four 4" heavy-duty rubberized casters. The two bartender side casters are locking.
- Stainless steel front and side panels are welded to the 16-gauge stainless steel base for incredible durability.
- Stainless steel bar top and front and side panels have a plastic honey comb core for durability and sound deadening.
- Stylish feathered jewel finish on bar top hides scratches.

To view cleaning and care instructions, please visit: http://www.glastender.com/PDF/F-423-011_ss_clean_care.pdf

Specifications

Cup Storage Well

- 4-1/4" w by 15" d by 10-1/2" h
- 3 rows front to back, 150 cup capacity

Cocktail Bin Liner

- 12" model: 10" w by 15" d by 10-1/2" h, 33 lbs ice capacity
- 18" model: 16" w by 15" d by 10-1/2" h, 50 lbs ice capacity

Plastic Drain Tank

- Collects waste water from cocktail bin. An air gap prevents back up into ice bin.
- Includes on/off drain valve
- Slides out for draining

Condiment Area

- 12" cocktail bin: 3 cups
- 18" cocktail bin: 4 cups

Casters

- Four 4" heavy -duty rubberized casters
- The two bartender side casters are locking

Iced Beverage Bin Liner

- PBC48-12 model: 22" w by 15" d by 10-1/2" h
- PBC48-18 model: 16" w by 15" d by 10-1/2" h
- PBC54-12 model: 28" w by 15" d by 10-1/2" h
- PBC54-18 model: 22" w by 15" d by 10-1/2" h
- PBC60-12 model: 34" w by 15" d by 10-1/2" h
- PBC60-18 model: 28" w by 15" d by 10-1/2" h

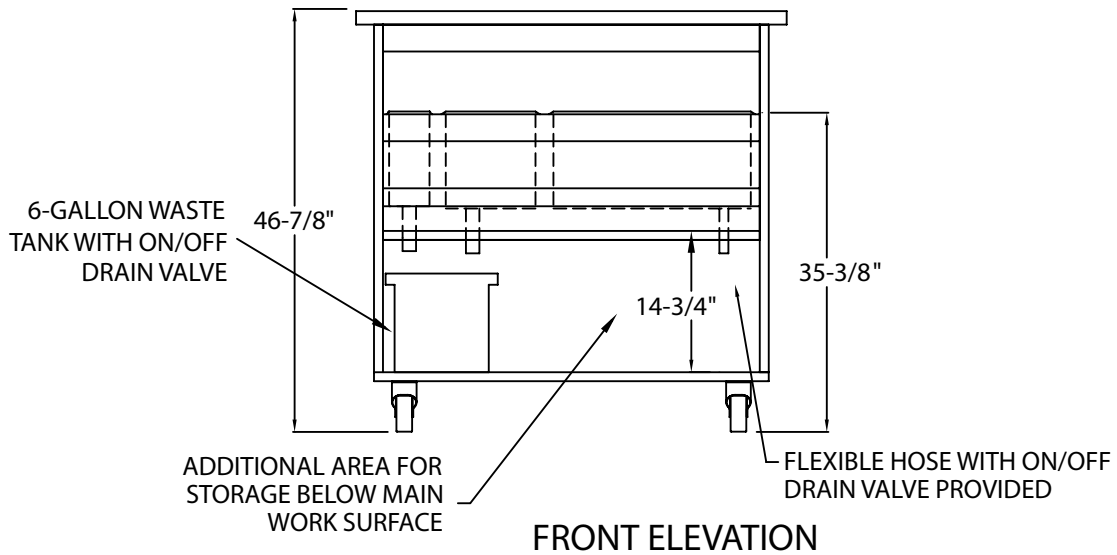
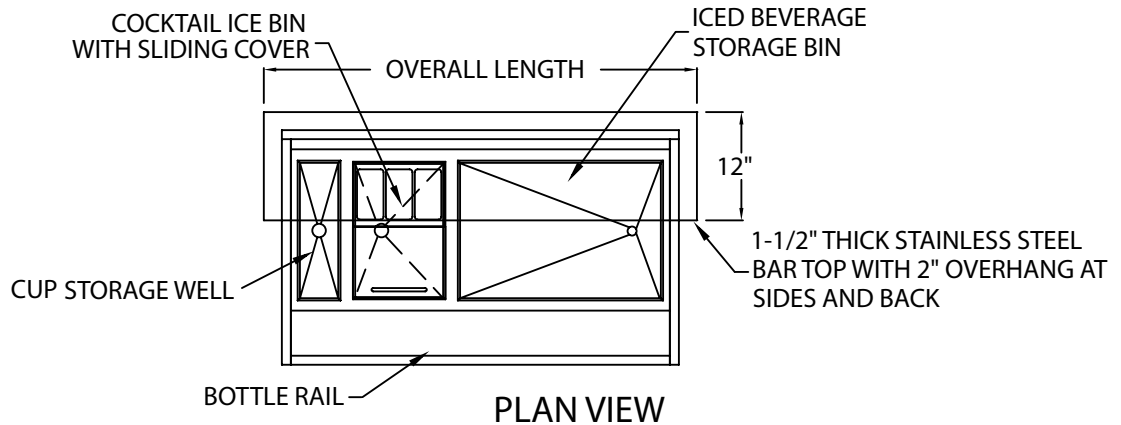
Materials

- 20 gauge stainless steel parts include: all components except as listed below.
- 18 gauge stainless steel parts include: bar top and bar top belly pan.
- 16 gauge stainless steel parts include: base and base stiffener channels.
- 14 gauge stainless steel parts include: drain tank mounting angle and bar top mounting angles.
- PVC plastic parts include: breaker strip around ice bin liners and speed rail step and rail covers.

<p>Glastender, Inc. • 5400 North Michigan Road • Saginaw, MI • 48604-9780 989.752.4275 • 800.748.0423 • Fax 989.752.4444 www.glastender.com</p>	Approval/Notes:
<p>Specifications subject to change without notice. For current specifications please visit our website.</p>	

Portable Bar for Stackable Cups

Dimensional Information



	CUP WELL	COCKTAIL ICE BIN	BEVERAGE BIN	OVERALL LENGTH
PBC48-12	6"	12"	24"	48"
PBC48-18	6"	18"	18"	48"
PBC54-12	6"	12"	30"	54"
PBC54-18	6"	18"	24"	54"
PBC60-12	6"	12"	36"	60"
PBC60-18	6"	18"	30"	60"

