

Project: _____	AIA# _____
Item #: _____ Qty: _____	SIS# _____
Model #: _____	

## Wait Stations

WS24, WS36, WS36-S

### Standard Features

- All stainless steel construction
- Integrated back and side splashes
- Radius work surface corners for easy cleaning
- Work surface features front marine edge
- Cabinet includes intermediate shelf and special compartment for vertical tray storage
- Vertical tray storage compartment specifically designed to hold 14" or 16" round server trays
- Recessed hole in tray storage compartment floor prevents round trays from rolling out
- Includes left side mounted menu holder
- WS36-S model includes welded bowl with removable plastic wash rag basin
- Optional wall mount pan holder (WPH) with 6" deep stainless steel pan for use as an ash tray dump or wash rag basin
- Includes wall mounting bracket



WS24



**Intertek**  
 4004503  
 Conforms to ANSI/NSF STD 2



WS36-S  
 with optional WPH  
 wall mount pan holder

To view cleaning and care instructions, please visit: [http://www.glastender.com/PDF/F-423-011\\_ss\\_clean\\_care.pdf](http://www.glastender.com/PDF/F-423-011_ss_clean_care.pdf)

<b>Specifications</b>	<b>Mounting Details</b>
-----------------------	-------------------------

**Drain**

- No plumbing required

**Bowl Dimensions for model WS36-S**

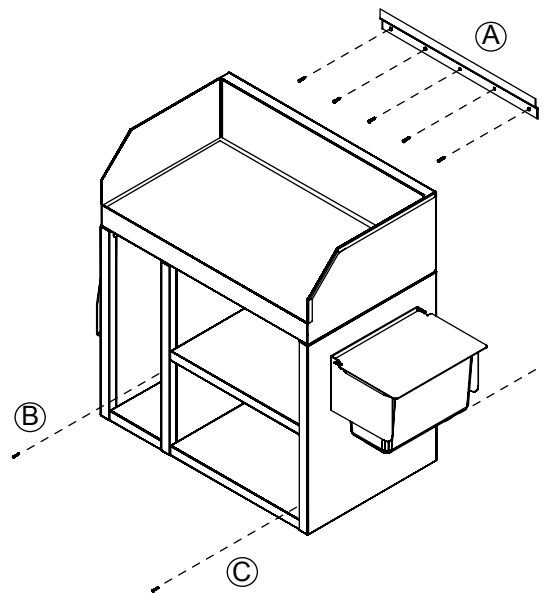
- 9-1/4" by 11-1/2" by 6" deep

**Materials**

- 20 gauge stainless steel parts include:  
 All components unless otherwise noted
- 16 gauge stainless steel parts include:  
 menu holder and optional wall mount pan holder



Detail showing optional WPH wall mount pan holder installed



**⚠ WARNING:** The plastic wet waste strainer included with this product can expose you to chemicals including Bisphenol A (BPA), which is known to the State of California to cause birth defects or other reproductive harm. For more information, go to [www.P65Warnings.ca.gov](http://www.P65Warnings.ca.gov). **Warning applies to State of California only.** Part #03000483

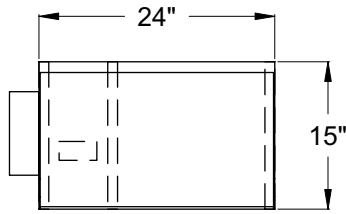
Mounting bracket (A) attaches to the wall. The Wait Station is placed on the mounting bracket, then is secured to the wall with screws at (B) and (C).

<b>Glastender, Inc.</b> • 5400 N Michigan Rd • Saginaw, MI • 48604-9780 989.752.4275 • 800.748.0423 • Fax 989.752.4444 <a href="http://www.glastender.com">www.glastender.com</a>	Approval/Notes:
Specifications subject to change without notice. For current specifications please visit our website.	

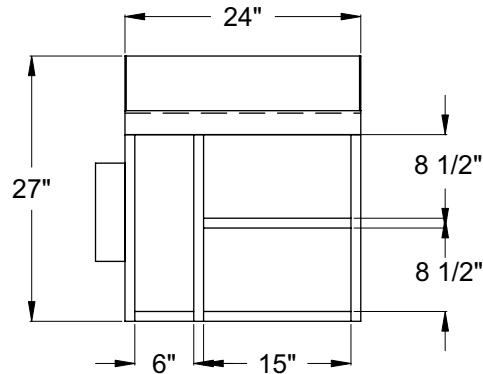
# Wait Stations

## Dimensional Information

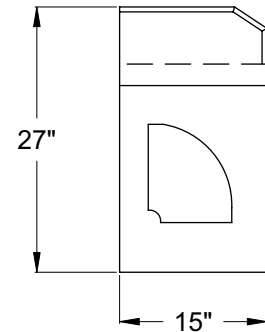
WS24



Plan View

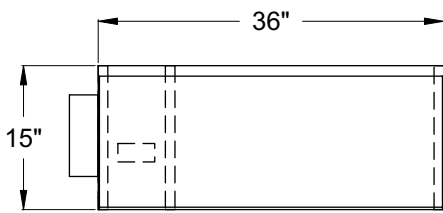


Front View

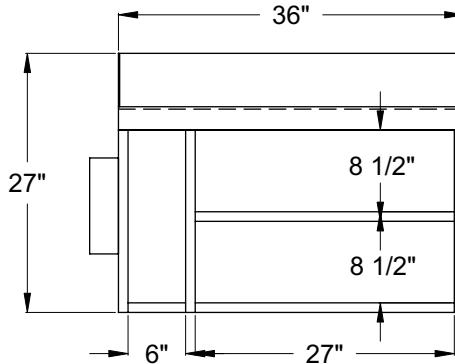


Side View

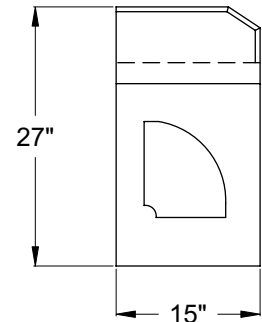
WS36



Plan View

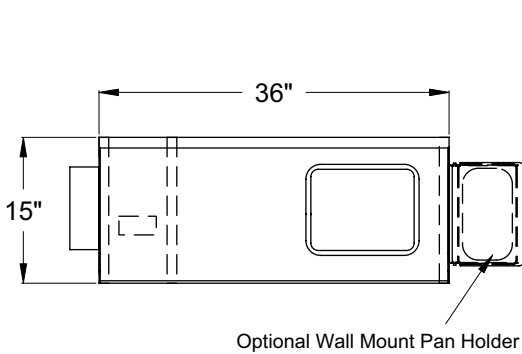


Front View

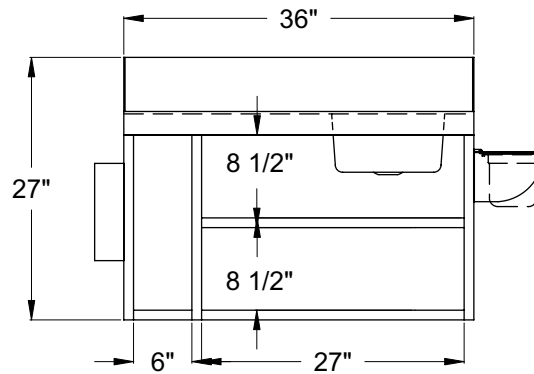


Side View

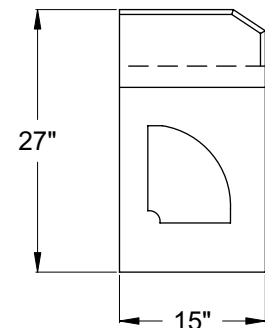
WS36-S



Plan View



Front View



Side View