

|                          |            |
|--------------------------|------------|
| Project: _____           | AIA# _____ |
| Item #: _____ Qty: _____ | SIS# _____ |
| Model #: _____           |            |

## Speed Rails & Locking Covers

(model numbers on reverse side)

### Standard Features

- All stainless steel construction
- Open step-and-rail design for easy cleaning and better view of bottles
- Radius corners on steps and rails for easy cleaning
- PVC sound deadening covers
- Long underbar skirt allows speed rails to mount low enough that bottles do not rise above deck surface and inhibit work-flow
- Single and double step models
- Locking covers are available (see reverse side for model numbers)
- Locking covers for single speed rails include built-in storage hangers when ordered with original equipment
- Available in custom lengths up to 84"
- Rails have a clear snap-on liquor identification label cover



SSR-24



Intertek  
 4004503  
 Conforms to ANSI/NSF STD 2



DSR-24

To view cleaning and care instructions, please visit: [http://www.glastender.com/PDF/F-423-011\\_ss\\_clean\\_care.pdf](http://www.glastender.com/PDF/F-423-011_ss_clean_care.pdf)

### Specifications

#### Materials

- 20 gauge stainless steel parts include: steps, rails, and locking covers
- 14 gauge stainless steel parts include: ends
- PVC step and rail covers



SSR-36 with SSRC-36 installed



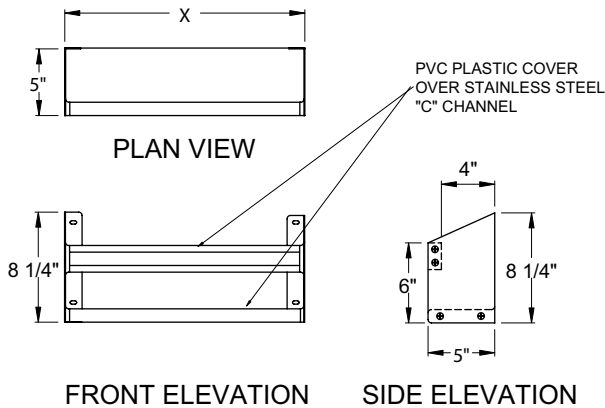
SSR-36 with SSRC-36 in storage below

|  |                        |
|--|------------------------|
| <p><b>Glastender, Inc.</b> • 5400 North Michigan Road • Saginaw, MI • 48604-9780<br/>         989.752.4275 • 800.748.0423 • Fax 989.752.4444<br/> <a href="http://www.glastender.com">www.glastender.com</a></p> | <p>Approval/Notes:</p> |
| <p>Specifications subject to change without notice. For current specifications please visit our website.</p>   |                        |

# Speed Rails and Locking Covers

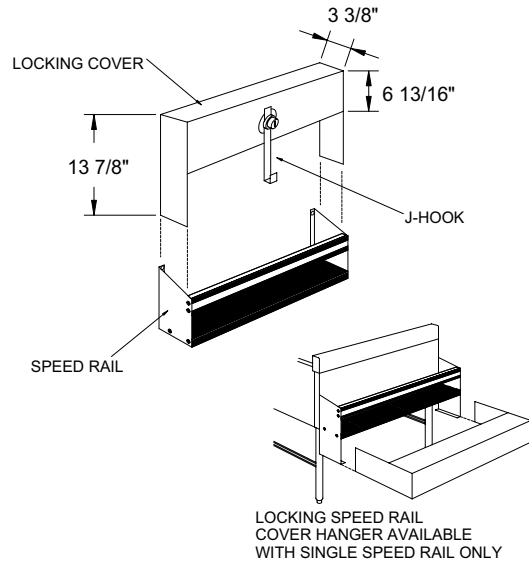
## Dimensional Information

Single Speed Rails are available in one inch increments from 12" to 84" in length. The model number designation is SSR- X , where X = the length of the unit in inches. Speed rails over 48" also have a center support.



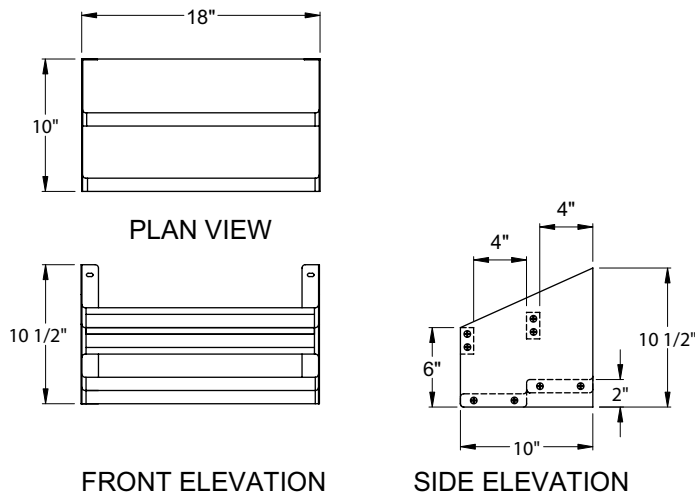
**SSR- X**

Single Speed Rail Locking covers are available in one inch increments from 12" to 48". The model number designation is SSRC- X , where X = the length of the unit in inches. Use multiple covers for speed rails longer than 48". (NOTE: 24" and 29" deep Liquor Displays require multiples of four and five locking covers, respectively)



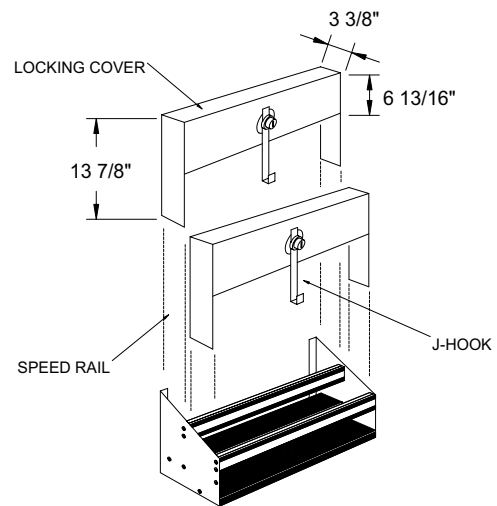
**SSRC- X**

Double Speed Rails are available in one inch increments from 12" to 84" in length. The model number designation is DSR- X , where X = the length of the unit in inches. Double speed rails over 48" also have a center support.



**DSR- X**

Double Speed Rail Locking covers are available in one inch increments from 12" to 48". The model number designation is DSRC- X , where X = the length of the unit in inches. Use multiple covers for speed rails longer than 48". (NOTE: Double speed rail locking covers are actually just two single speed rail locking covers.)



**DSRC- X**