

Project: _____	AIA# _____
Item #: _____ Qty: _____	SIS# _____
Model #: _____	

## Liquor Displays

See reverse side for model number key



LDA-24



**Intertek**

4004503

Conforms to ANSI/NSF STD 2

### Standard Features

- Easily useable height for storage
- All stainless steel construction and stainless steel bullet feet
- Includes radius interior corners for easy cleaning
- Four (4) levels of liquor bottle storage for 24" deep models and five (5) levels for 29" deep models
- Bottle retaining rails with clear lift-off liquor identification cover
- Open step-and-rail design for easy cleaning and better view of bottles
- Locking covers are available for each individual row, see Locking Speed Rail Covers on page 3.32
- Matches speed rail design for continuity
- Specially designed side profiles to align with four different equipment mounting situations
- Standard models available in 6" incremental lengths from 12" to 42" (Custom sizes also available)
- Rear step on each model is extra wide for specialty liquor bottles

To view underbar installation instructions, please visit: [http://www.glastender.com/PDF/F-750-165\\_Underbar\\_Installation\\_Instructions.pdf](http://www.glastender.com/PDF/F-750-165_Underbar_Installation_Instructions.pdf)  
 To view cleaning and care instructions, please visit: [http://www.glastender.com/PDF/F-423-011\\_ss\\_clean\\_care.pdf](http://www.glastender.com/PDF/F-423-011_ss_clean_care.pdf)

<b>Specifications</b>	<b>Product Information</b>
-----------------------	----------------------------

**Legs**

- 1-5/8" diameter, 16 gauge stainless steel
- Stainless steel bullet feet

**Materials**

- 20 gauge stainless steel parts include: all components unless otherwise noted
- 18 gauge stainless steel parts include: leg pads
- 14 gauge stainless steel parts include: sides
- PVC plastic step and rail covers

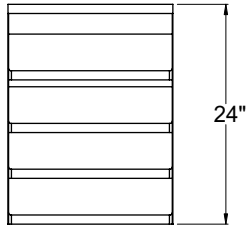
Liquor Displays provide tiered liquor bottle storage at a height convenient for bartender use. They maintain the same easy to clean, open step and rail design as a speed rail. Each step and rail has PVC sound deadening covers and each rail includes a clear lift-off liquor identification cover. The 24" deep models provide four levels of storage front to back and the 29" deep models provide five.

Liquor displays cannot have a speed rail mounted to them. Since speed rails are so common on underbar, liquor displays have been designed to align with underbar that has a speed rail. The four different liquor display styles are based on the four different equipment mounting situations.

<b>Glastender, Inc.</b> • 5400 North Michigan Road • Saginaw, MI • 48604-9780 989.752.4275 • 800.748.0423 • Fax 989.752.4444 <a href="http://www.glastender.com">www.glastender.com</a>	Approval/Notes:
Specifications subject to change without notice. For current specifications please visit our website.	

# Liquor Displays

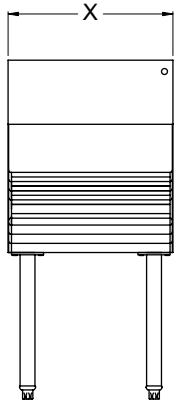
## Dimensional Information



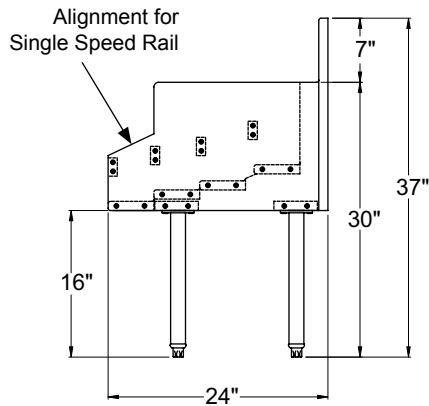
PLAN VIEW  
(both models)

### 24" Deep Models

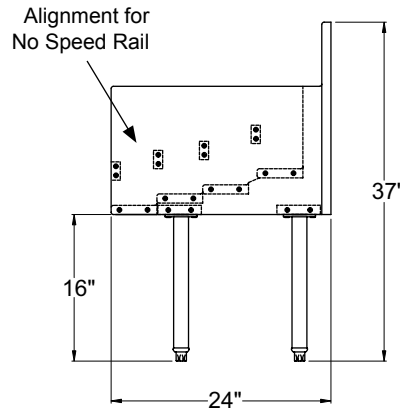
Model Number	Model Number	X
LDA-12S	LDB-12	12"
LDA-18S	LDB-18	18"
LDA-24S	LDB-24	24"
LDA-30S	LDB-30	30"
LDA-36S	LDB-36	36"
LDA-42S	LDB-42	42"



FRONT  
ELEVATION



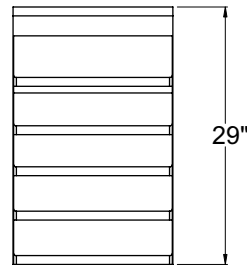
LDA-\_\_S



LDB-\_\_\*

SIDE ELEVATIONS

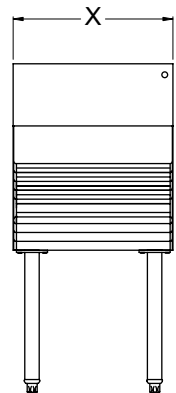
\* Denotes length in inches



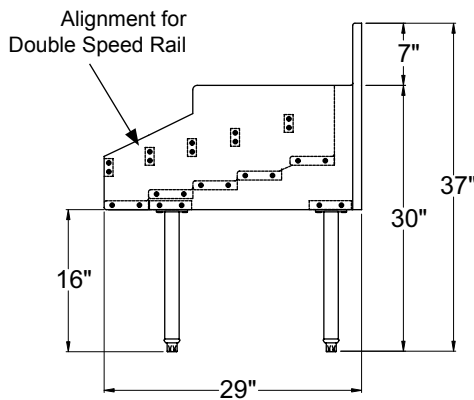
PLAN VIEW  
(both models)

### 29" Deep Models

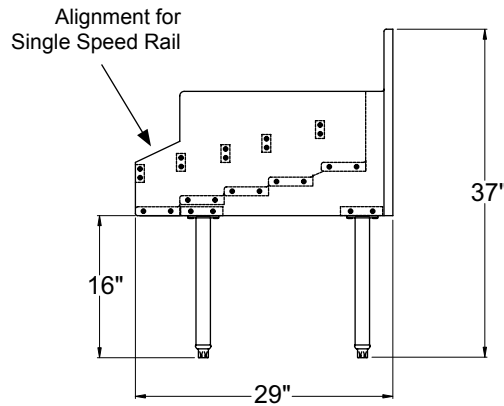
Model Number	Model Number	X
LDA-12D	LDB-12S	12"
LDA-18D	LDB-18S	18"
LDA-24D	LDB-24S	24"
LDA-30D	LDB-30S	30"
LDA-36D	LDB-36S	36"
LDA-42D	LDB-42S	42"



FRONT  
ELEVATION



LDA-\_\_D



LDB-\_\_S

SIDE ELEVATIONS

\* Denotes length in inches