

Project: _____	AIA# _____
Item #: _____ Qty: _____	SIS# _____
Model #: _____	

Add-On Cabinet Bases

ACB-12, ACB-14, ACB-18, ACB-24, ACB-30,
ACB-36, ACB-42, ACB-48

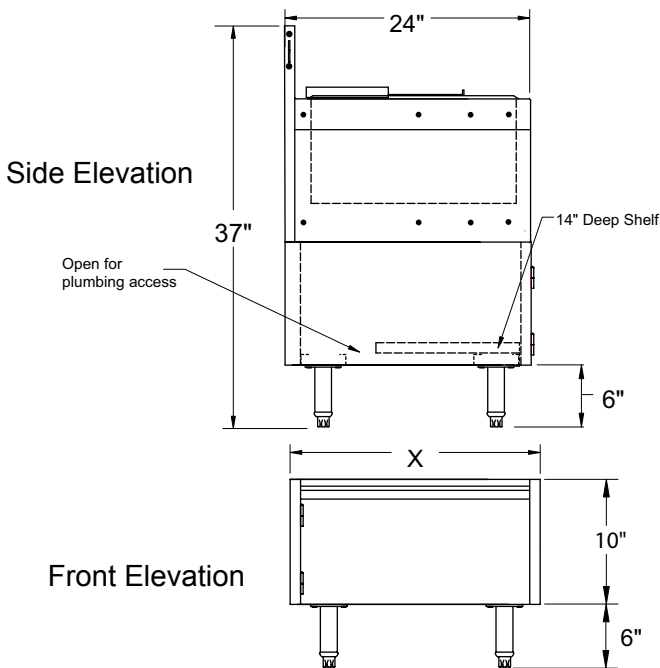


ACB-18

Standard Features

- All stainless steel construction
- Adjustable stainless steel bullet feet
- Door(s) features integral handle
- Enhance the look of your bar by making the plumbing less visible
- Increase your available storage space by taking advantage of the area below your underbar
- Floor is still removable after unit is plumbed and includes radius corners for easy cleaning.
- Plumbing connection is made underneath the unit and does not interfere with floor
- Smooth interior walls for easy cleaning and a finished appearance.
- Add-On Cabinet Base units do not come with door locks

Dimensional Information



Product Information

The Add-On Cabinet Base is designed to be installed beneath standard underbar equipment to provide additional storage. It can also enhance the look of your bar by eliminating the need to store loose items on the floor and making plumbing less visible. The Add-On Cabinet Base features a stainless steel floor that does not go all the way to the back of the cabinet, which provides an access opening for plumbing. The removable stainless steel floor has radius corners for easy cleaning. The interior walls are dual panel constructed for an easy to clean, smooth interior.



Intertek
4004503
Conforms to ANSI/NSF STD 2

Model Number	X	Doors
ACB-12	12"	One
ACB-14	14"	One
ACB-18	18"	One
ACB-24	24"	Two
ACB-30	30"	Two
ACB-36	36"	Two
ACB-42	42"	Two
ACB-48	48"	Two

To view underbar installation instructions, please visit: http://www.glastender.com/PDF/F-750-165_Underbar_Installation_Instructions.pdf
 To view cleaning and care instructions, please visit: http://www.glastender.com/PDF/F-423-011_ss_clean_care.pdf

Glastender, Inc. • 5400 North Michigan Road • Saginaw, MI • 48604-9780 989.752.4275 • 800.748.0423 • Fax 989.752.4444 www.glastender.com	Approval/Notes:
Specifications subject to change without notice. For current specifications please visit our website.	