



DBDA-18



Intertek

4004503

Conforms to ANSI/NSF STD 2

Project: _____	AIA# _____
Item #: _____ Qty: _____	SIS# _____
Model #: _____	

Drainboard Drawer Units

DBDA-18, DBDA-24, DBDA-30, DBDB-18,
DBDB-24, DBDB-30

Standard Features

- All stainless steel construction
- One-piece seamless top and backsplash featuring 1/4" radius corners for easy cleaning
- NSF listed stainless steel drawer slides
- Locking drawer provides storage below the worksurface with out sacrificing the ability to have a speedrail†
- Lock standard
- Removable drawer pan with radius interior corners for easy cleaning
- Drawer features integral handle
- Adjustable stainless steel bullet feet
- Exclusive worksurface design with drain pan and separate perforated insert for better air circulation
- All storage is on a level plane

† To order a speedrail as an accessory, specify SSR- * -D, which is a special speedrail model designed to work with a drawer style unit, where * denotes the length in inches.

To view underbar installation instructions, please visit: http://www.glastender.com/PDF/F-750-165_Underbar_Installation_Instructions.pdf
 To view cleaning and care instructions, please visit: http://www.glastender.com/PDF/F-423-011_ss_clean_care.pdf

Specifications

Drain

- 1-1/2" I.P.S. threaded drain will fit Dearborn part #8033 slipnut and part #W-573P washer.

Legs

- 1-5/8" diameter, 16 gauge stainless steel
- Stainless steel bullet feet

Materials

- 20 gauge stainless steel parts include: all components unless otherwise noted
- 18 gauge stainless steel parts include: top, worksurface and leg pads

Speedrail

- Speedrail available as an accessory, specify SSR- * -D when ordering, where * denotes the length in inches.

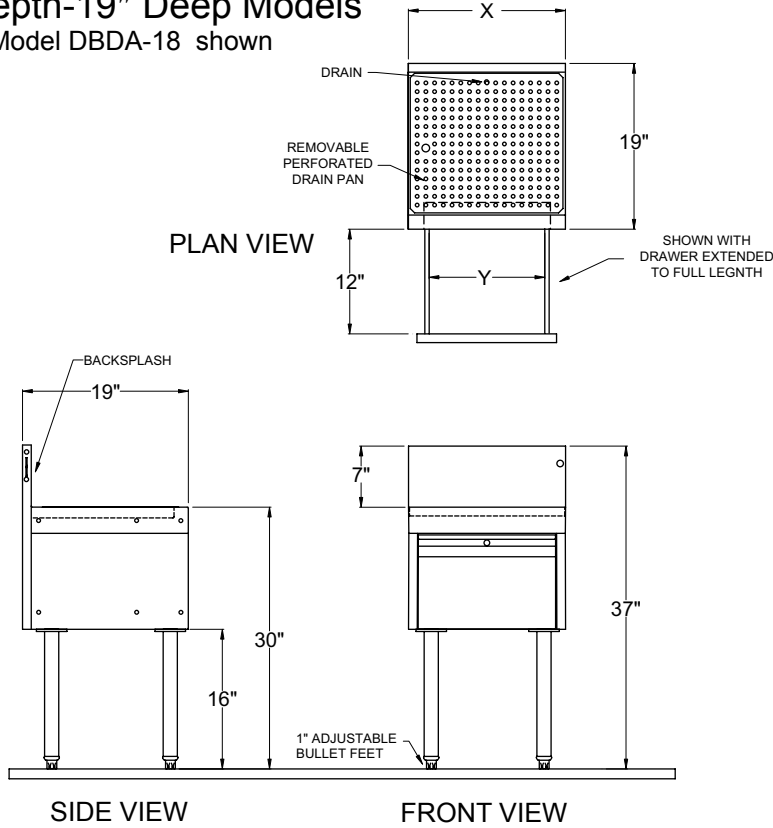
Glastender, Inc. • 5400 N Michigan Rd • Saginaw, MI • 48604-9780 989.752.4275 • 800.748.0423 • Fax 989.752.4444 www.glastender.com	Approval/Notes:
Specifications subject to change without notice. For current specifications please visit our website.	

Drainboard Drawer Units

Dimensional Information

"A" Depth-19" Deep Models

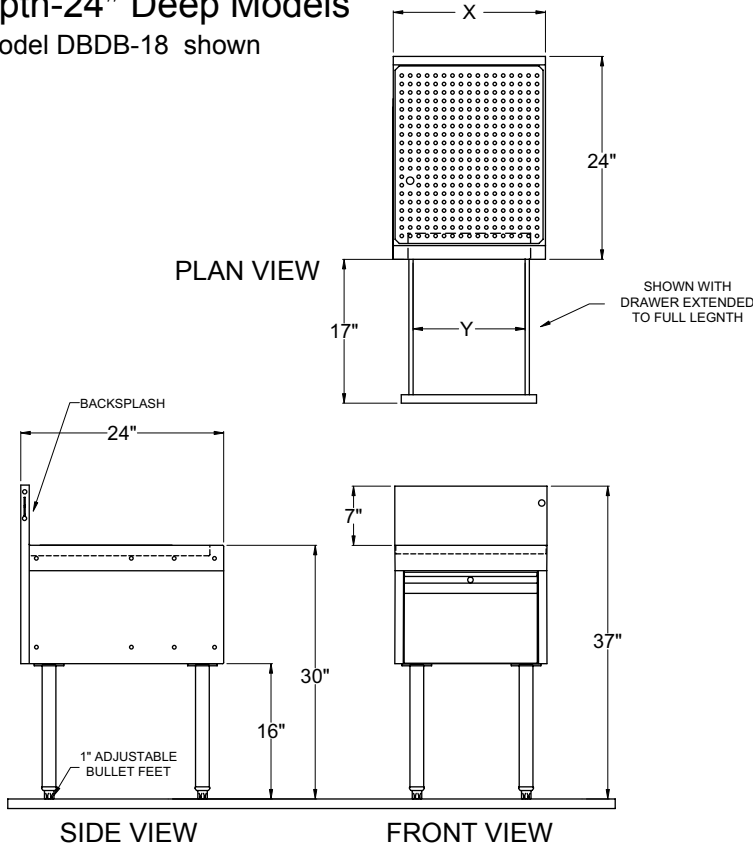
Model DBDA-18 shown



Model Number	X	Y
DBDA-18	18"	13-1/4"
DBDA-24	24"	19-1/4"
DBDA-30	30"	25-1/4"

"B" Depth-24" Deep Models

Model DBDB-18 shown



Model Number	X	Y
DBDB-18	18"	13-1/4"
DBDB-24	24"	19-1/4"
DBDB-30	30"	25-1/4"



5400 N Michigan Rd • Saginaw, MI • 48604-9780
 989.752.4275 • 800.748.0423 • Fax 989.752.4444
www.glastender.com