

Project: _____	AIA# _____
Item #: _____ Qty: _____	SIS# _____
Model #: _____	

Glassracks

GRA-18, GRA-24, GRB-18, or GRB-24



GRA-24



Intertek
 4004503
 Conforms to ANSI/NSF STD 2

Standard Features

- Stainless steel construction
- Adjustable stainless steel bullet feet
- Pilasters and clips provided
- Full bottom floor with drain
- Two adjustable glass rack slides
- Storage for three (3) glassracks

To view underbar installation instructions, please visit: http://www.glastender.com/PDF/F-750-165_Underbar_Installation_Instructions.pdf
 To view cleaning and care instructions, please visit: http://www.glastender.com/PDF/F-423-011_ss_clean_care.pdf

<i>Specifications</i>	<i>Product Information</i>
-----------------------	----------------------------

Drain

- 1-1/2" I.P.S. Threaded drain will fit Dearborn part #8033 slipnut and part #W-573P washer.

Legs

- 1-5/8" diameter, 16 gauge stainless steel
- Stainless steel bullet feet

Materials

- 20 gauge stainless steel parts include: all components unless otherwise noted
- 18 gauge stainless steel parts include: leg pads
- 14 gauge stainless steel parts include: sides and glass rack slides

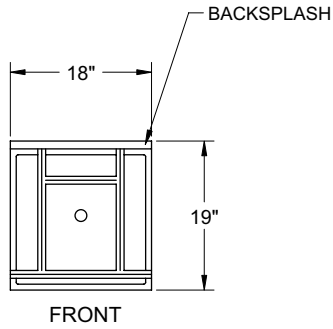
Glassracks are designed to hold three racks of glassware; one on the bottom floor and one on each of the two adjustable glass rack slides. The 24" wide models hold 20" by 20" racks and the 18" wide models hold the 16" round racks used with the Glastender GT-18 glasswashers.

See page 1.11 for special glassracks for GT-18 glasswashers.

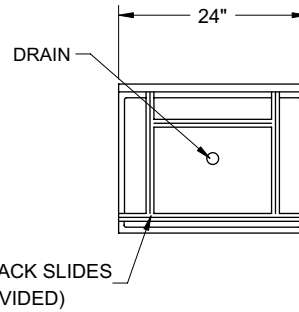
<p>Glastender, Inc. • 5400 N Michigan Rd • Saginaw, MI • 48604-9780 989.752.4275 • 800.748.0423 • Fax 989.752.4444 www.glastender.com</p>	Approval/Notes:
Specifications subject to change without notice. For current specifications please visit our website.	

Glassracks

Dimensional Information

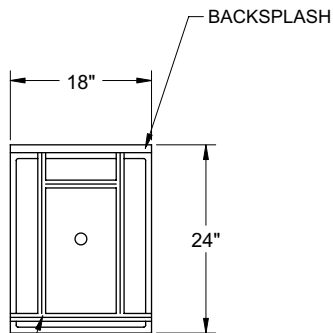


GRA-18

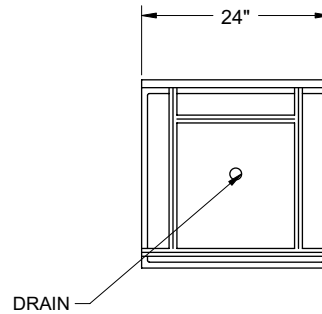


GRA-24

PLAN VIEWS

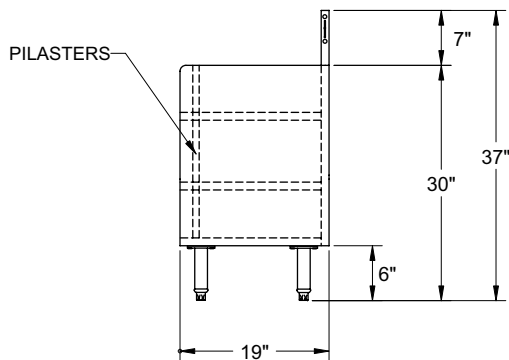


GRB-18

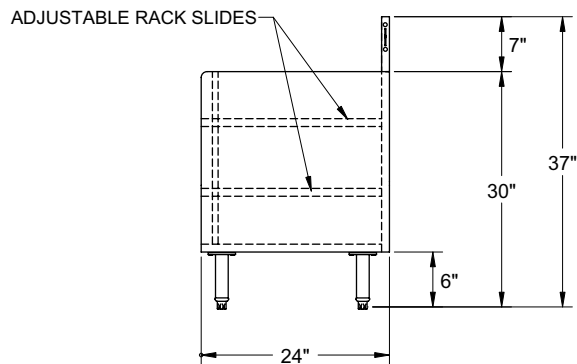


GRB-24

PLAN VIEWS



"A" DEPTH



"B" DEPTH

SIDE ELEVATIONS