

OFCA-90

| | |
|--------------------------|------------|
| Project: _____ | AIA# _____ |
| Item #: _____ Qty: _____ | SIS# _____ |
| Model #: _____ | |

90° Corner Drainboards

IFCA-90, OFCA-90, ICCA-90, OCCA-90,
IFCB-90, OFCB-90, ICCB-90, OCCB-90

Standard Features

- Stainless steel construction
- Designed to mount between two adjacent pieces of Glastender underbar equipment
- Exclusive design with drain pan and separate perforated insert for better air circulation
- Work surface features 1/4" radius corners for easy cleaning
- Custom sizes available
- Available as full corners or a clip corners with large chamfer



| | |
|-----------------------|----------------------------|
| Specifications | Product Information |
|-----------------------|----------------------------|

Drain

- 1-1/2" I.P.S. Threaded drain will fit Dearborn part #8033 slipnut and part #W-573P washer.

Materials

- 20 gauge stainless steel parts include: all components unless otherwise noted
- 14 gauge stainless steel parts include: front rail

Degree model corner drainboards are designed to align with 19" or 24" deep underbar. They come with a front rail to match the front rail of adjacent equipment.

Corner drainboards are designed to mount between two pieces of underbar. However, corner drainboards can be used to mount between any two stable vertical surfaces. Corners should not be mounted to objects that are mobile or on casters. Because they are intended to mount between two vertical surfaces, corner drainboards do not come free standing with finished sides and leg sets. If one side of the corner does not have a vertical surface on which to mount, then a side and leg set must be ordered as an accessory. Specify the following model numbers:

CA-LEG - 19" deep
CB-LEG - 24" deep

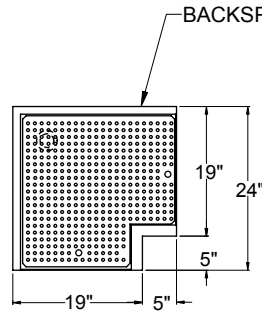
| | |
|---|-----------------|
| Glastender, Inc. • 5400 North Michigan Road • Saginaw, MI • 48604-9780 989.752.4275 • 800.748.0423 • Fax 989.752.4444 www.glastender.com | Approval/Notes: |
| Specifications subject to change without notice. For current specifications please visit our website. | |

90° Corner Drainboards

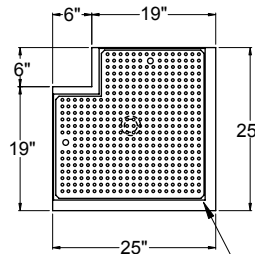
Dimensional Information

A Depth-19" Deep

PLAN VIEWS

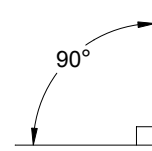


IFCA-90

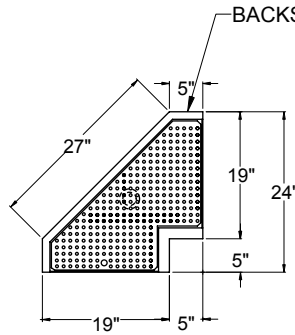


OFCA-90

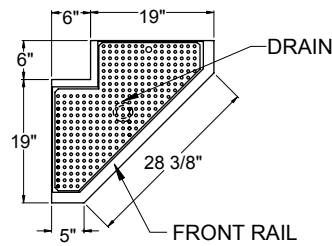
FRONT RAIL



PLAN VIEWS



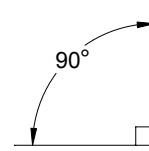
ICCA-90



OCCA-90

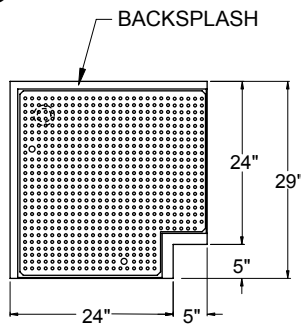
DRAIN

FRONT RAIL

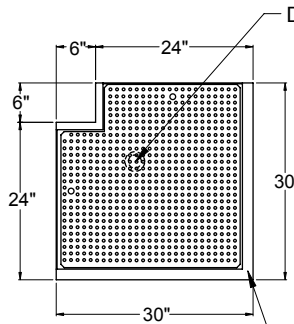


B Depth-24" Deep

PLAN VIEWS

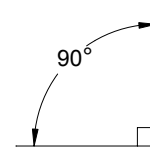


IFCB-90

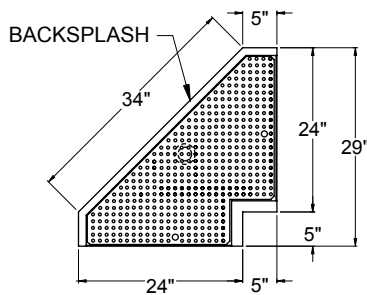


OFCB-90

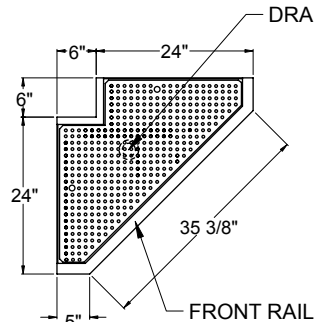
FRONT RAIL



PLAN VIEWS



ICCB-90



OCCB-90

DRAIN

FRONT RAIL

