

Glastender®

A family company manufacturing in the USA

www.glastender.com



Intertek

4004503

Conforms to ANSI/NSF STD 2
Certified to CSA/CAN STD B45.4

BSB-18

(Blender not included)

Power cord access
hole in front skirt,
behind blender



Rinser faucet

03012383

Rinser Faucet
Assembly



Intertek

4004503

Conforms to NSF/ANSI STD 372

BSA-18-RF

**All faucets are NSF/ANSI 61, Annex G
low lead compliant**

Rinser Faucet Installation Notes

- Important: Unit must be installed in conformance with applicable federal, state, and local plumbing codes, including adequate backflow when required.
- Install in-line water regulator (included).
- A separate shut-off valve is recommended (not included).

Project: _____	AIA# _____
Item #: _____ Qty: _____	SIS# _____
Model #: _____	

Blender Stations

BSA-12, BSA-14, BSA-18L, BSA-18R,
BSA-18-RF, BSB-12, BSB-14, BSB-18

Standard Features

- All stainless steel construction
- One-piece, seamless top and backsplash
- CFC free foamed-in-place blender shelf for sound deadening
- Adjustable stainless steel bullet feet
- 9-1/4" by 11-1/2" by 6" deep sink bowl with hot and cold water gooseneck faucet
- Lift-out plastic perforated sink strainer
- 1" recessed work surface on 'BSB-__' models
- Blender shelf features radius interior corners for easy cleaning
- Power cord access hole with grommet located on front skirt, behind the blender
- Junction box for duplex GFI outlet mounted underneath blender shelf (outlet not included)
- BSA-18-RF model includes a convenient rinser faucet to rinse out the blender cup.

NOTE: Blender stations cannot have a speed rail mounted to them. Since speed rails are so common on underbar, blender stations come in 24" and 29" depths to align with underbar that has a speed rail.

Specifications

Drain

- 1-1/2" I.P.S. Threaded drain will fit Dearborn part #8033 slipnut and part #W-573P washer.

Faucet

- Models BSA-14, BSA-18, BSA-18R, BSB-14, and BSA-18: Deck mounted on 4" centers, accepts 3/8" sink leads, hot and cold water connections required
- Models BSA-12, BSB-12, and BSA-18-RF: Backsplash mounted on 4" centers, hot and cold water connections required

Rinser Faucet (BSA-18-RF model only)

- Accepts 3/8" cold water lead
- 30 psi water pressure regulator included

Sink Bowl Dimensions

- 9-1/4" by 11-1/2" by 6" deep

Sink Strainer

- Perforated plastic

Legs

- 1-5/8" diameter, 16 gauge stainless steel
- Stainless steel bullet feet

Materials

- 20 gauge stainless steel

To view underbar installation instructions, please visit: http://www.glastender.com/PDF/F-750-165_Underbar_Installation_Instructions.pdf
To view cleaning and care instructions, please visit: http://www.glastender.com/PDF/F-423-011_ss_clean_care.pdf

Glastender, Inc. • 5400 North Michigan Road • Saginaw, MI • 48604-9780
989.752.4275 • 800.748.0423 • Fax 989.752.4444
www.glastender.com

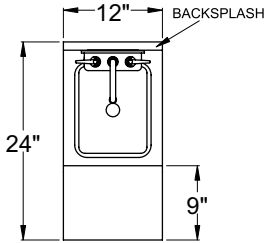
Approval/Notes:

Specifications subject to change without notice. For current specifications please visit our website.

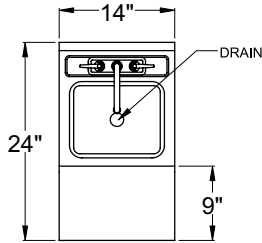
Blender Stations

Dimensional Information

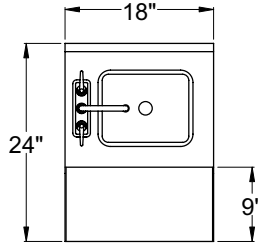
*NOTE: The BSA-18L model has the faucet mounted Left. Specify BSA-18R for faucet mounted Right.



BSA-12

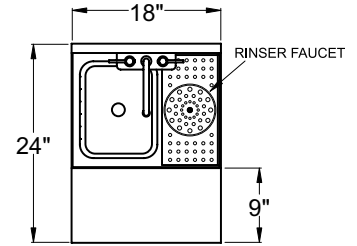


BSA-14

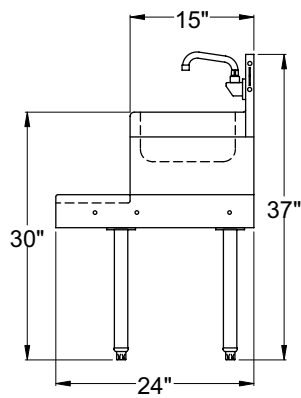


BSA-18L

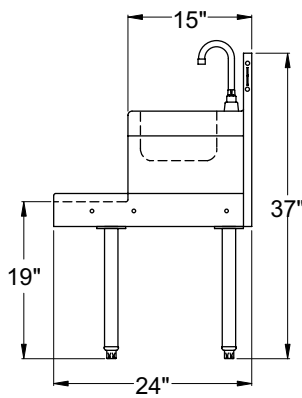
BLENDER STATION WITH RINSER FAUCET



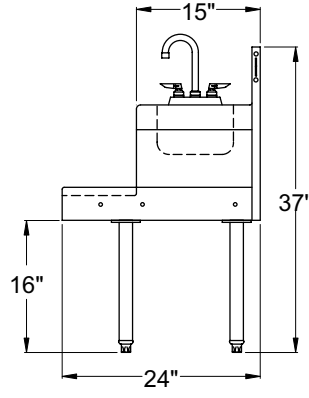
BSA-18-RF
PLAN VIEW



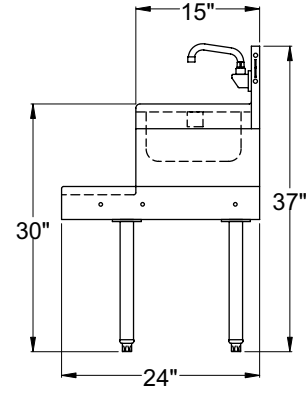
BSA-12



BSA-14

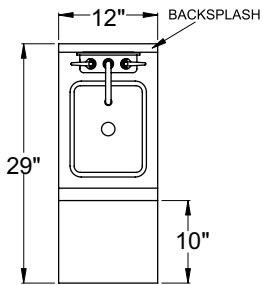


BSA-18L

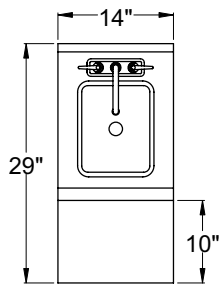


BSA-18-RF
SIDE ELEVATION

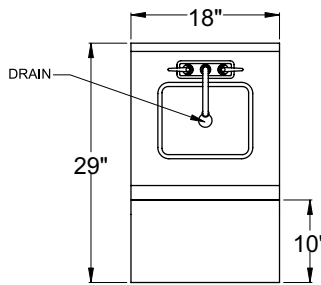
SIDE ELEVATIONS



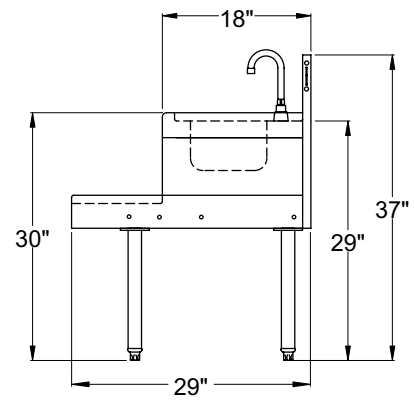
BSB-12



BSB-14



BSB-18



BSB-12*, BSB-14, BSB-18

*Note: BSB-12 faucet is mounted to backsplash.

PLAN VIEWS

SIDE ELEVATION



5400 N Michigan Rd • Saginaw, MI • 48604-9780
989.752.4275 • 800.748.0423 • Fax 989.752.4444
www.glastender.com

Printed in USA