

Project: _____	AIA# _____
Item #: _____ Qty: _____	SIS# _____
Model #: _____	

Combo Ice Bins

See reverse side for model number key



CBA-36R-CP10
Shown with optional speed rail



TC-BS Accessory

Standard Features

- All stainless steel construction
- One-piece, seamless top and backsplash
- PVC plastic breaker strip around ice bin liner: creates 5/16" raised edge around liner, acts as thermal barrier to prevent heat transfer, and makes the cover slide easier
- Tubing chase available centered in backsplash of 12" and larger models. Specify accessory model #TC-BS.
- Available in 6" incremental lengths from 30" to 60"
- 24" deep version provides larger ice bin not just a deck extension on the back of the 19" deep model
- Sliding stainless steel cover
- CFC free foamed-in-place insulation
- Adjustable stainless steel bullet feet
- Ten circuit cold plate is available on units where the main ice bin liner is 22" or wider (add suffix '-CP10' to model number)
- Combo Ice Bins combine separate draining ice bin and bottle well compartments into one integral unit. The fully insulated bottle well comes with wire rack(s) for ice chilled storage of bottles. The bottle well may be located on the left, right, or both sides of the ice bin.

NOTE: Combo Ice Bins are not recommended for dry, room temperature storage of bottles - instead, higher bottle capacity Liquor Displays (see page 3.23) should be ordered

To view underbar installation instructions, please visit: http://www.glastender.com/PDF/F-750-165_Underbar_Installation_Instructions.pdf
 To view cleaning and care instructions, please visit: http://www.glastender.com/PDF/F-423-011_ss_clean_care.pdf

Specifications

Drain

- Non-cold plate model: 1-1/2" tailpiece
- Ten circuit cold plate model: 3/4" MPT

Tubing Chase in Backsplash (Optional)

- 2-3/8" by 4" hole centered in backsplash

Cover

- Two-piece sliding cover, 20 gauge stainless steel, included with all models

Cold Plate (Models with '-CP10' suffix)

- Ten circuit available for 22" wide (main liner) and larger models only
- Connection is 5/16" O.D. stainless steel tubing with swaged end

Liner Depth

- 10-1/2" standard
- 14-1/2" extra deep

Ice Capacity

- "A" depth standard = 2.79 lbs X length
- "A" depth extra deep = 3.85 lbs X length
- "B" depth standard = 3.54 lbs X length
- "B" depth extra deep = 4.89 lbs X length

Legs

- 1-5/8" diameter 16 gauge stainless steel
- Stainless steel bullet feet

Materials

- 20 gauge stainless steel
- PVC plastic breaker strip around opening of ice bin liner

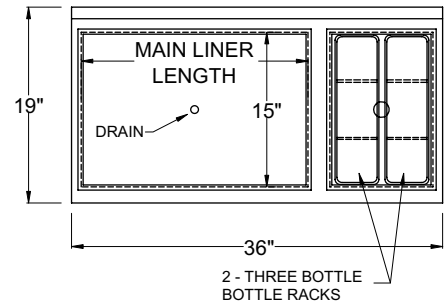
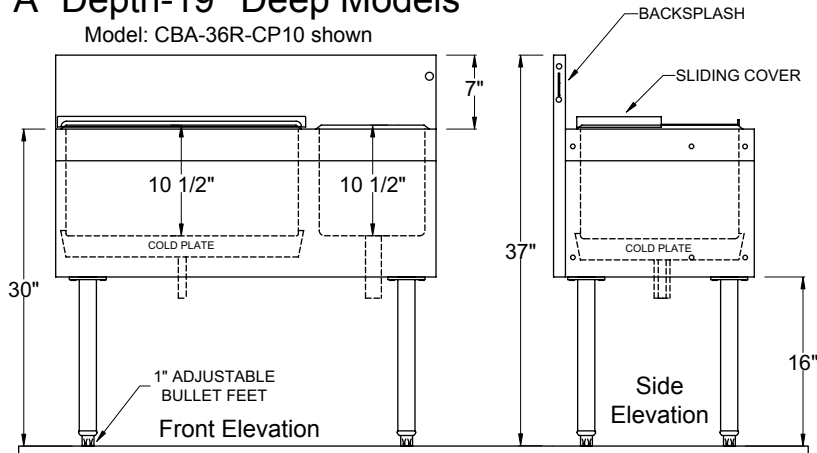
Glastender, Inc. • 5400 North Michigan Road • Saginaw, MI • 48604-9780 989.752.4275 • 800.748.0423 • Fax 989.752.4444 www.glastender.com	Approval/Notes:
Specifications subject to change without notice. For current specifications please visit our website.	

Combo Ice Bins

Dimensional Information

"A" Depth-19" Deep Models

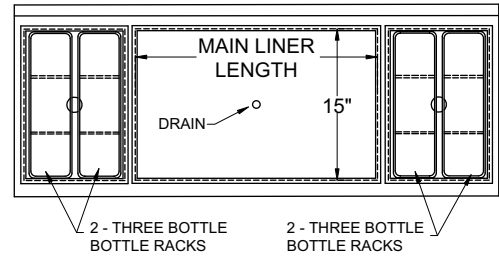
Model: CBA-36R-CP10 shown



NOTE: L3 or R3 models have one 3-bottle rack

Plan View

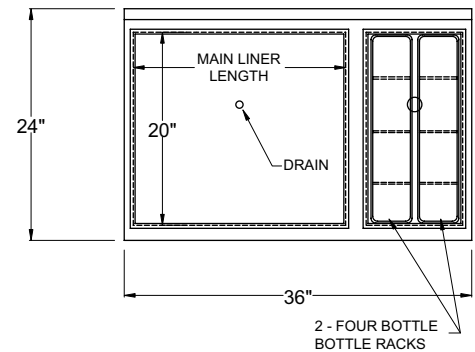
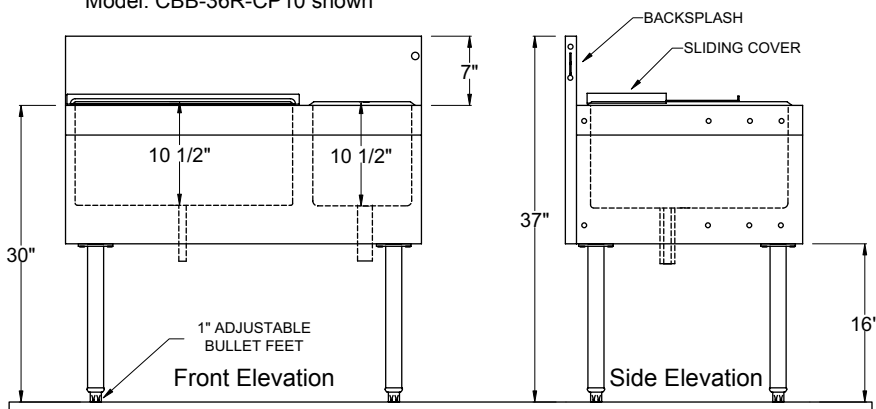
Plan view detailing two bottle well models
Model: CBA-48-CP10 shown



Model Number	Overall Length	Main Liner length	Bottle Well Location	Optional Cold Plate
CBA-30 L or R	30"	16"	Left or Right	N/A
CBA-30L3 or R3	30"	22"	Left or Right	CP10
CBA-36 L or R	36"	22"	Left or Right	CP10
CBA-42	42"	16"	Left and Right	N/A
CBA-42 L or R	42"	28"	Left or Right	CP10
CBA-48	48"	22"	Left and Right	CP10
CBA-48 L or R	48"	34"	Left or Right	CP10
CBA-54	54"	28"	Left and Right	CP10
CBA-60	60"	34"	Left and Right	CP10

"B" Depth-24" Deep Models

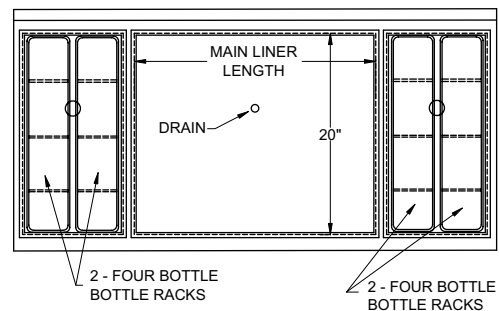
Model: CBB-36R-CP10 shown



NOTE: L4 or R4 models have one 4-bottle rack

Plan View

Plan view detailing two bottle well models
Model: CBB-48-CP10 shown



Model Number	Overall Length	Main Liner Length	Bottle Well Location	Optional Cold Plate
CBB-30 L or R	30"	16"	Left or Right	N/A
CBB-30L4 or R4	30"	22"	Left or Right	CP10
CBB-36 L or R	36"	22"	Left or Right	CP10
CBB-42	42"	16"	Left and Right	N/A
CBB-42 L or R	42"	28"	Left or Right	CP10
CBB-48	48"	22"	Left and Right	CP10
CBB-48 L or R	48"	34"	Left or Right	CP10
CBB-54	54"	28"	Left and Right	CP10
CBB-60	60"	34"	Left and Right	CP10



5400 N Michigan Rd • Saginaw, MI • 48604-9780
989.752.4275 • 800.748.0423 • Fax 989.752.4444
www.glastender.com