

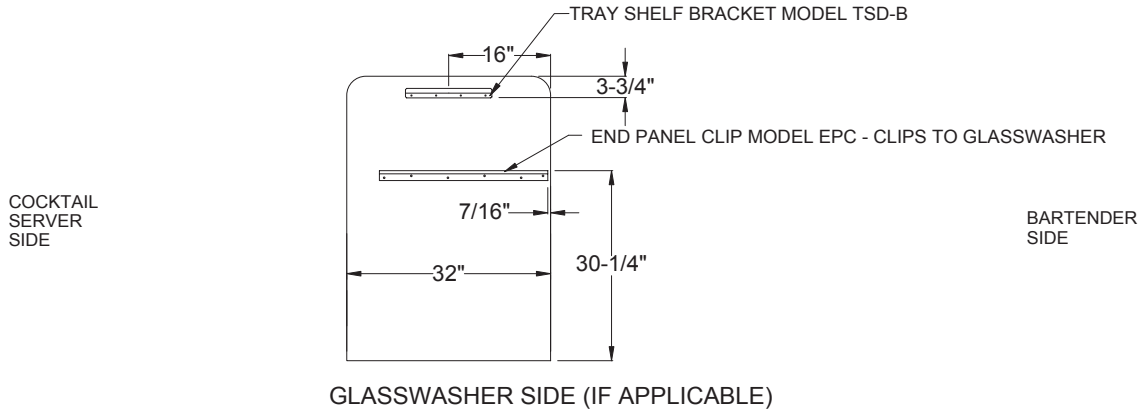


Project: _____	AIA# _____
Item #: _____ Qty: _____	SIS# _____
Model #: _____	

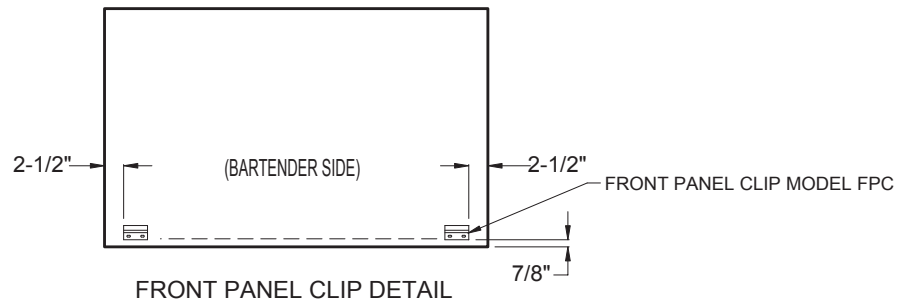
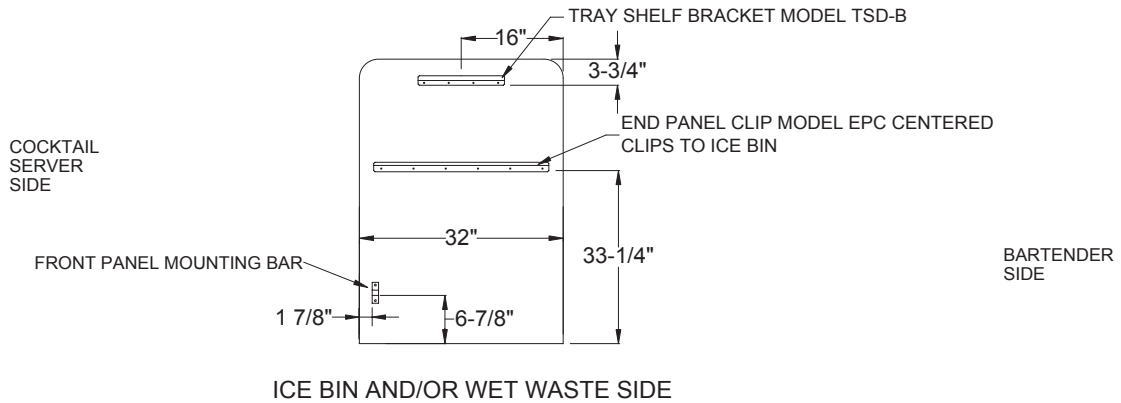
GT-18+3 Cocktail Station Installation Hardware

For GT-18+3 rotary rack glasswasher based cocktail station models including: CS-48+3L, CS-48+3R, CS-72+3L, CS-72+3R, CS-84+3L, and CS-84+3R

END PANEL CLIP & TRAY SHELF BRACKET DETAILS



END PANEL CLIP & TRAY SHELF BRACKET DETAILS



NOTE: ALL CLIPS AND BRACKETS ARE MOUNTED ON THE INNER FACE (EQUIPMENT SIDE) OF EACH PANEL

Glastender, Inc. • 5400 North Michigan Road • Saginaw, MI • 48604-9780 989.752.4275 • 800.748.0423 • Fax 989.752.4444 www.glastender.com	Approval/Notes:
Specifications subject to change without notice. For current specifications please visit our website.	