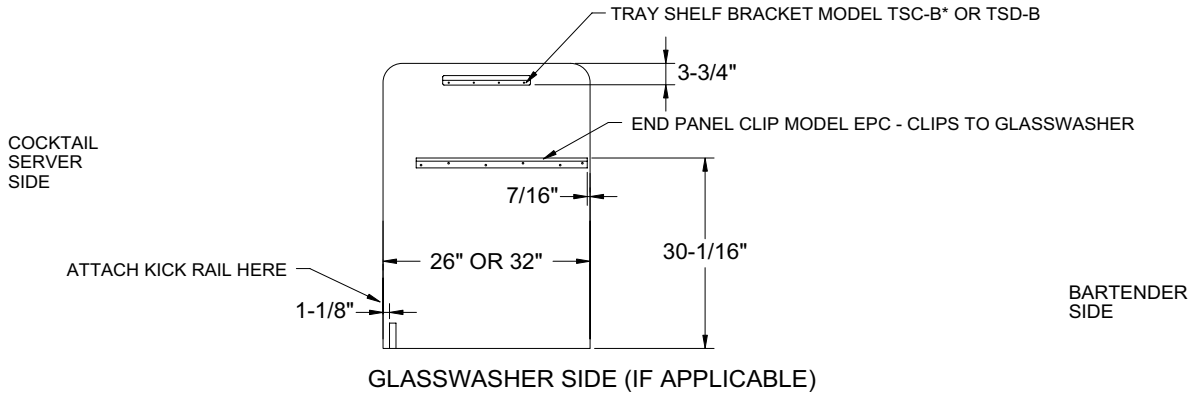


Project: _____	AIA# _____
Item #: _____ Qty: _____	SIS# _____
Model #: _____	

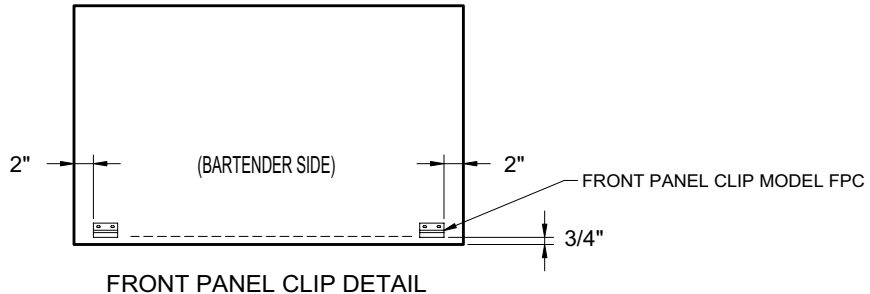
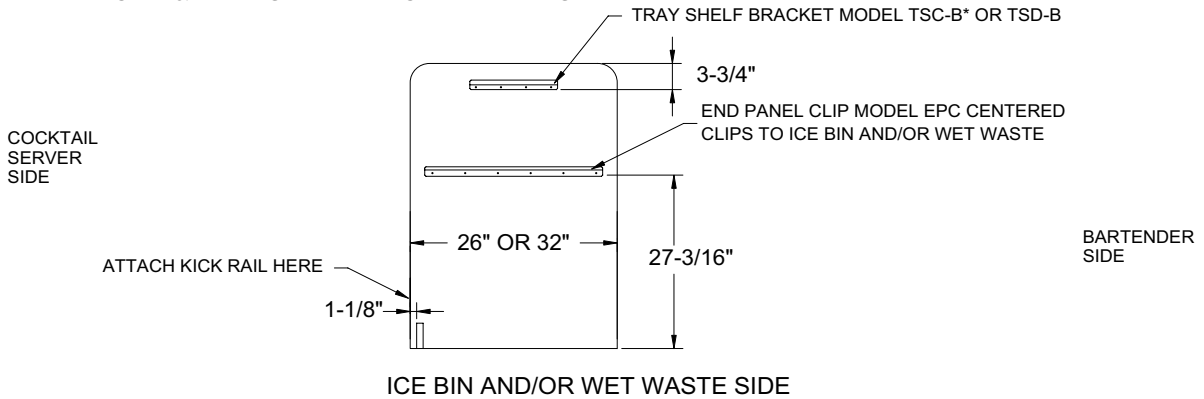
GT-24 and GT-30 Cocktail Station Installation Hardware

For GT-24 or GT-30 rotary glasswasher based cocktail station models including: CS-42x26, CS-42x32, CS-54x32, CS-60x32, CS-42x26G, CS-42x32G, CS-48x32G, CS-66x26, CS-66x32, CS-72, and CS-84

END PANEL CLIP & TRAY SHELF BRACKET DETAILS



END PANEL CLIP & TRAY SHELF BRACKET DETAILS



* ALL TRAY SHELF BRACKETS ARE CENTERED ON THE END PANEL EXCEPT MODEL CS-66x32G AND CS-42x32G WHICH CENTERS THE BRACKET OVER THE GT-24 GLASSWASHER.

NOTE: ALL CLIPS AND BRACKETS ARE MOUNTED ON THE INNER FACE (EQUIPMENT SIDE) OF EACH PANEL

Glastender, Inc. • 5400 North Michigan Road • Saginaw, MI • 48604-9780 989.752.4275 • 800.748.0423 • Fax 989.752.4444 www.glastender.com	Approval/Notes:
Specifications subject to change without notice. For current specifications please visit our website.	