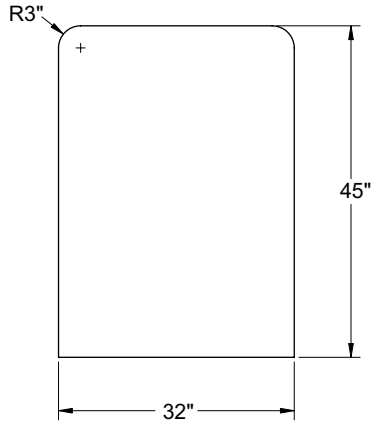


Project: _____	AIA# _____
Item #: _____ Qty: _____	SIS# _____
Model #: _____	

**Cocktail Station
 End Panels**



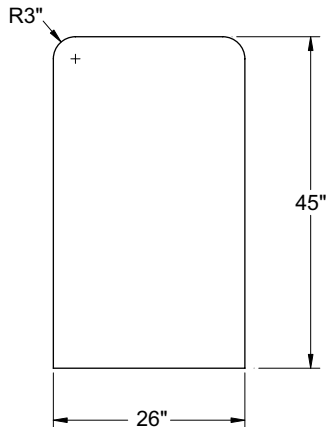
32" DEEP END PANEL

END PANEL NOTES:

- 1) LAMINATE 3/4" SOLID CORE PLYWOOD SO FINISHED THICKNESS IS 7/8".
- 2) TWO PANELS REQUIRED PER STATION.

GENERAL PANEL NOTES:

- 1) ALL DIMENSIONS ARE FINISHED SIZES.
- 2) LAMINATE ALL SIX SIDES (FACES & EDGES EQUAL SIX SIDES).



26" DEEP END PANEL

END PANEL NOTES:

- 1) LAMINATE 3/4" SOLID CORE PLYWOOD SO FINISHED THICKNESS IS 7/8".
- 2) TWO PANELS REQUIRED PER STATION.

Glastender, Inc. • 5400 North Michigan Road • Saginaw, MI • 48604-9780 989.752.4275 • 800.748.0423 • Fax 989.752.4444 www.glastender.com	Approval/Notes:
<small>Specifications subject to change without notice. For current specifications please visit our website.</small>	