

Project: _____	AIA# _____
Item #: _____ Qty: _____	SIS# _____
Model #: _____	

Stainless Steel Overshelf Details

SOS/SS-_*_ Single Overshelf

DOS/SS-_*_ Double Overshelf

* Reflects the length of the overshelf in inches

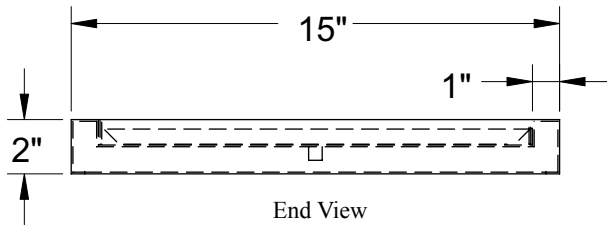


DOS/SS-72
with end panel
mounting brackets



Intertek
4004503

Conforms to NSF/ANSI STD 2



Standard Features

Stainless steel draining overshelves are optional accessories for all Glastender pass thru cocktail stations. They come in single or double versions. Overshelves are constructed of 20 gauge stainless steel and have stainless steel removable perforated inserts. The perforated inserts are recessed relative to the side rails to help prevent glassware from inadvertently sliding off the shelf. The drain is a 1/2" welded tailpiece.

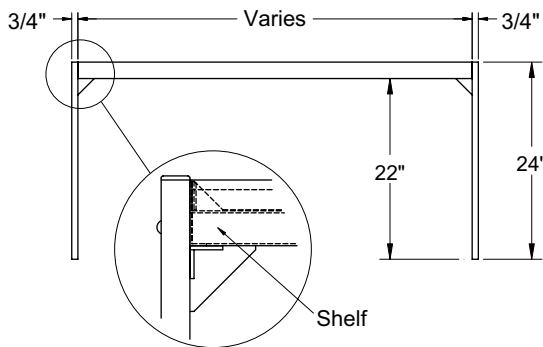
Overshelves are also available separately for installation into existing cocktail station areas. All overshelves are 15" front-to-back. The overshelf length varies depending on the installation requirements.

Overshelves include mounting brackets for one of three different installation situations: end panel, bar top, or wall mount. The bar top and end panel mounting brackets are made with 3/4" stainless steel bar stock.

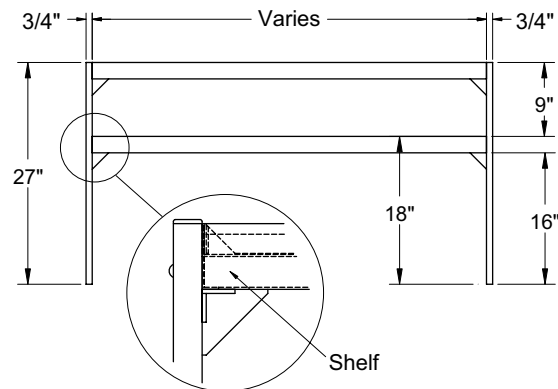
To view underbar installation instructions, please visit: http://www.glastender.com/PDF/F-750-165_Underbar_Installation_Instructions.pdf

To view cleaning and care instructions, please visit: http://www.glastender.com/PDF/F-423-011_ss_clean_care.pdf

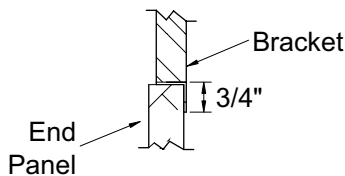
Isometric View and Mounting Details



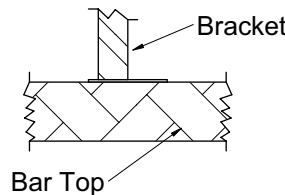
Single Overshelf Front View



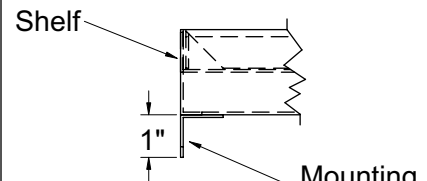
Double Overshelf Front View



End Panel Mounting Bracket



Bar Top Mounting Bracket



Wall Mounting Bracket

Glastender, Inc. • 5400 North Michigan Road • Saginaw, MI • 48604-9780
 989.752.4275 • 800.748.0423 • Fax 989.752.4444
www.glastender.com

Approval/Notes:

Specifications subject to change without notice. For current specifications please visit our website.