

CS-48x32G-CCW with Optional Double Overshelf



Project: _____	AIA# _____
Item #: _____ Qty: _____	SIS# _____
Model #: _____	

48" x 32" Disassembly Style Cocktail Station

CS-48x32G-CW or CS-48x32G-CCW

Standard Features

- GT-30 rotary glasswasher - specify when ordering: voltage - 120/208V or 120/240V, 1 phase, 60Hz
- Two wet waste sinks with strainers - dimensions: 9-1/4" by 11-1/2" by 6" deep
- Gooseneck faucet
- Stainless steel draining tray shelf with removable perforated inserts
- Laminated wooden front and end panels, specify laminate manufacturer, color, and catalog number when ordering (Conversion to stainless steel front and end panels is available)
- Available in clockwise or counterclockwise rotation

Specifications

GT-30 Glasswasher

- See GT-30 Glasswasher spec sheet, page 1.02 of the Specification Guide

Sink Bowl

- 9-1/4" by 11-1/2" by 6" deep

Sink Drains

- 1-1/2" I.P.S. Threaded drain will fit Dearborn part #8033 slipnut and part #W-573P washer.

Tray and Overshelf (optional) Drains

- 1/2" tailpiece

Faucet

- On 4" centers, accepts 3/8" sink leads, hot and cold water connections required

Shelf Heights

- Tray shelf...44"
- Single overshelf (optional)...69"
- Double overshelf (optional)...63" and 72"

Rotation

- Glasswasher can be at bartender's left (counterclockwise) or right (clockwise) - specify when ordering

Materials

- 20 and 22 gauge stainless steel parts include: glasswasher cabinet
- 20 gauge stainless steel parts include: tray shelf and inserts, work surface, and bowls (Stainless front and end panels if specified)
- 18 gauge stainless steel parts include: glasswasher floor and tanks
- 16 gauge stainless steel parts include: leg mounting brackets and legs
- Laminated wooden front and end panels
- Conveyor is electropolished, welded stainless steel wire

Recommendations

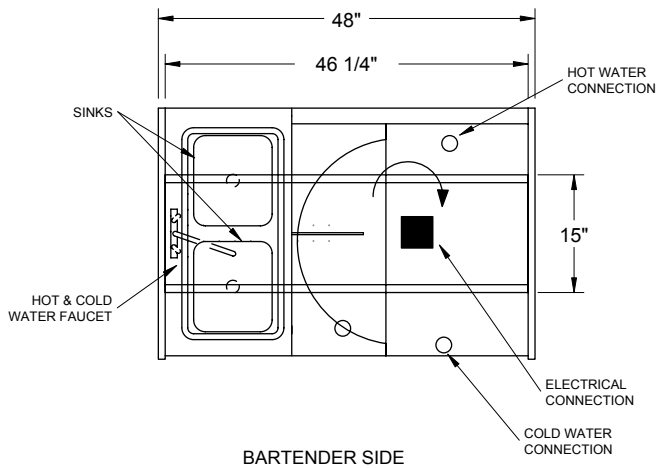
- Provide 12" by 12" open floor drain (safe waste) under sink - consult local codes

<p>Glastender, Inc. • 5400 North Michigan Road • Saginaw, MI • 48604-9780 989.752.4275 • 800.748.0423 • Fax 989.752.4444 www.glastender.com</p>	Approval/Notes:
<p>Specifications subject to change without notice. For current specifications please visit our website.</p>	

CS-48x32G Cocktail Station

Dimensional Information

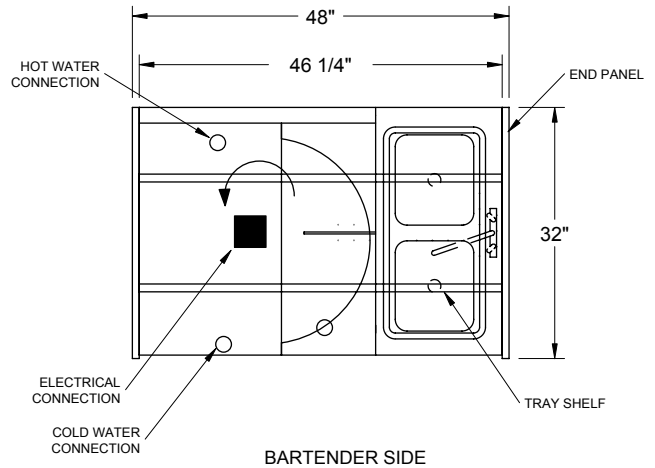
CS-48x32G-CW
(Clockwise Rotation)



BARTENDER SIDE

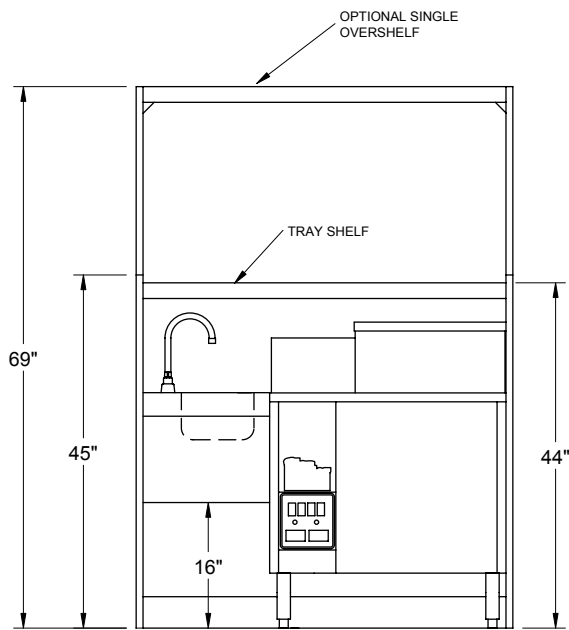
PLAN VIEW

CS-48x32G-CCW
(Counterclockwise Rotation)

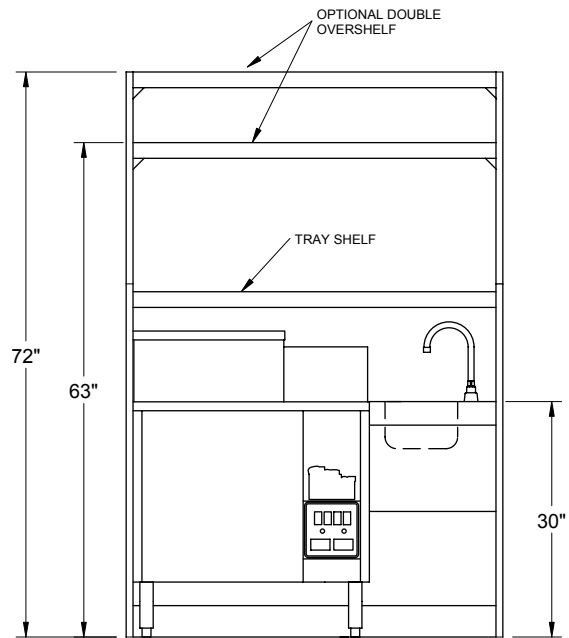


BARTENDER SIDE

PLAN VIEW



BARTENDER SIDE ELEVATION



BARTENDER SIDE ELEVATION

OPTIONAL ACCESSORIES

MODEL	DESCRIPTION
CPS-48x32	Convert laminated panels to stainless
SOS/SS-48	Stainless steel single overshelf
DOS/SS-48	Stainless steel double overshelf
CSR-22	Clip-on single speed rail
CDSR-22	Clip-on double speed rail

MODEL	DESCRIPTION
CDRY	Clip-on dry waste, stainless steel
SSR-16	Single speed rail, bolt-on
DSR-16	Double speed rail, bolt-on
BBS-16	Blender shelf, bolt-on