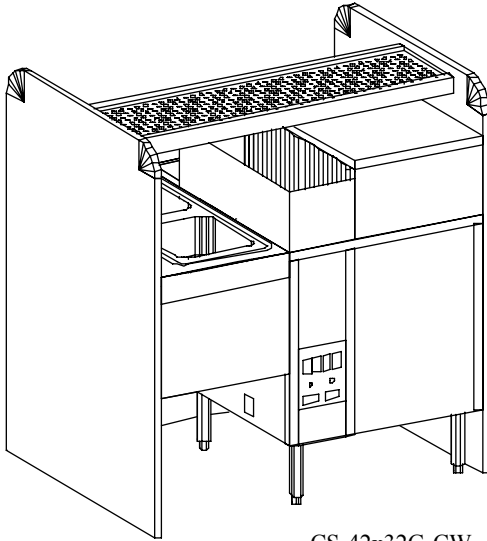


|                          |            |
|--------------------------|------------|
| Project: _____           | AIA# _____ |
| Item #: _____ Qty: _____ | SIS# _____ |
| Model #: _____           |            |

## 42" x 32" Disassembly Style Cocktail Station

CS-42x32G-CW or CS-42x32G-CCW



CS-42x32G-CW



Intertek

4004503  
Conforms to NSF/ANSI STD 2  
Certified to CSA STD B45.4

All faucets are NSF/ANSI 61, Annex G low lead compliant

### Standard Features

- GT-24 rotary glasswasher - specify when ordering: voltage - 120/208V or 120/240V, 1 phase, 60Hz
- Two wet waste sinks with strainers - dimensions: 9-1/4" by 11-1/2" by 6" deep
- Gooseneck faucet
- Removable stainless steel dry waste receptacle (12 gallon capacity)
- Stainless steel draining tray shelf with removable perforated inserts
- Laminated wooden front and end panels, specify laminate manufacturer, color, and catalog number when ordering (Conversion to stainless steel front and end panels is available)
- Available in clockwise or counterclockwise rotation

**NOTE: Cocktail stations can be ordered without the laminated front and end panels for customers who wish to provide their own. Add the suffix '-S' in the model number when ordering.**

### Specifications

#### GT-24 Glasswasher

- See GT-24 Glasswasher spec sheet, page 1.01 of the Specification Guide

#### Sink Bowls

- 9-1/4" by 11-1/2" by 6" deep

#### Sink Drain

- 1-1/2" I.P.S. Threaded drain will fit Dearborn part #8033 slipnut and part #W-573P washer.

#### Tray and Overshelf (optional) Drains

- 1/2" tailpiece

#### Faucet

- On 4" centers, accepts 3/8" sink leads, hot and cold water connections required

#### Shelf Heights

- Tray shelf...44"
- Single overshelf (optional)...69"
- Double overshelf (optional)...63" and 72"

#### Rotation

- Glasswasher can be at bartender's left (counterclock-wise) or right (clockwise) - specify when ordering

#### Materials

- 20 and 22 gauge stainless steel parts include: glasswasher cabinet
- 20 gauge stainless steel parts include: tray shelf and inserts, work surface, and bowl (Stainless front and end panels if specified)
- 18 gauge stainless steel parts include: glasswasher floor, tanks, and dry waste receptacle
- 16 gauge stainless steel parts include: leg mounting brackets and legs
- Laminated wooden front and end panels
- Conveyor is electropolished, welded stainless steel wire

#### Recommendations

- Provide 12" by 12" open floor drain (safe waste) under sink - consult local codes

**⚠ WARNING:** The plastic wet waste strainer included with this product can expose you to chemicals including Bisphenol A (BPA), which is known to the State of California to cause birth defects or other reproductive harm. For more information, go to [www.P65Warnings.ca.gov](http://www.P65Warnings.ca.gov). **Part #03000483**  
**Warning applies to State of California only.**

To view underbar installation instructions, please visit: [http://www.glastender.com/PDF/F-750-165\\_Underbar\\_Installation\\_Instructions.pdf](http://www.glastender.com/PDF/F-750-165_Underbar_Installation_Instructions.pdf)  
To view cleaning and care instructions, please visit: [http://www.glastender.com/PDF/F-423-011\\_ss\\_clean\\_care.pdf](http://www.glastender.com/PDF/F-423-011_ss_clean_care.pdf)

Glastender, Inc. • 5400 North Michigan Road • Saginaw, MI • 48604-9780  
989.752.4275 • 800.748.0423 • Fax 989.752.4444  
www.glastender.com

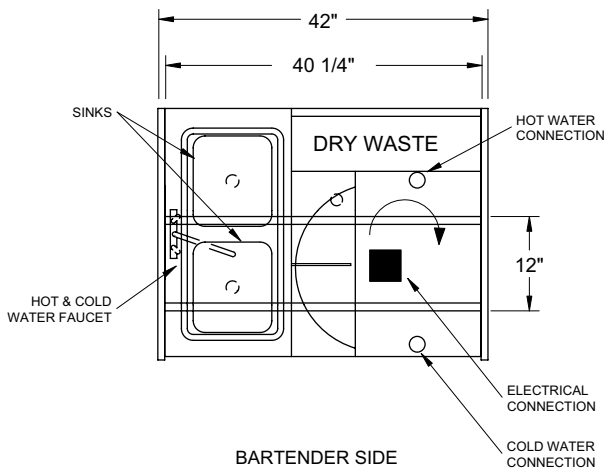
Approval/Notes:

Specifications subject to change without notice. For current specifications please visit our website.

# CS-42x32G Cocktail Station

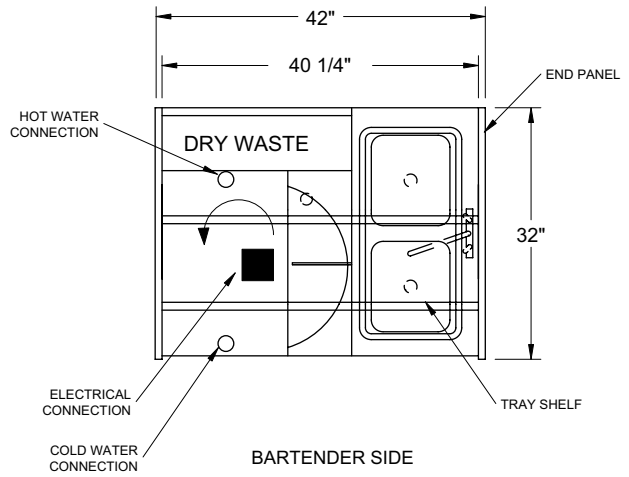
## Dimensional Information

**CS-42x32G-CW**  
(Clockwise Rotation)

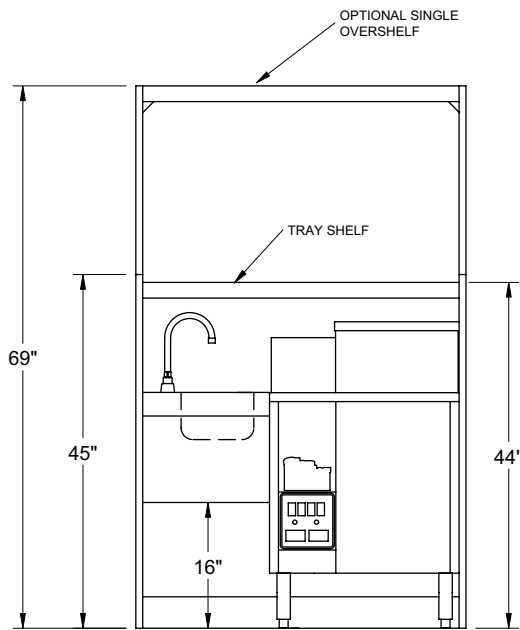


PLAN VIEW

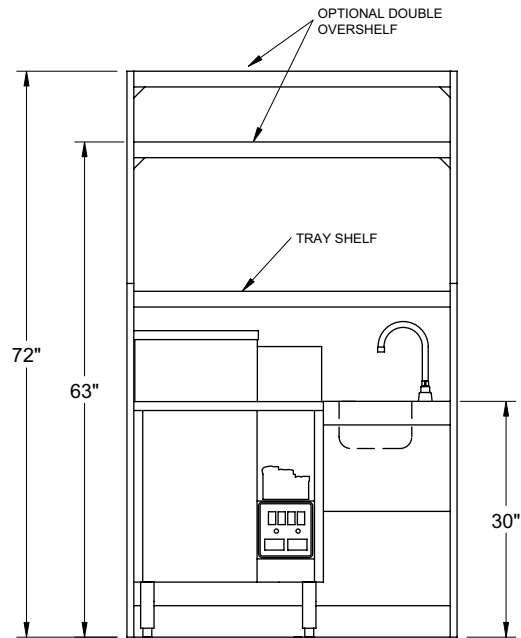
**CS-42x32G-CCW**  
(Counterclockwise Rotation)



PLAN VIEW



BARTENDER SIDE ELEVATION



BARTENDER SIDE ELEVATION

### OPTIONAL ACCESSORIES

| MODEL     | DESCRIPTION                           |
|-----------|---------------------------------------|
| CPS-42x32 | Convert laminated panels to stainless |
| SOS/SS-42 | Stainless steel single overshelf      |
| DOS/SS-42 | Stainless steel double overshelf      |
| CSR-16    | Clip-on single speed rail             |
| CDSR-16   | Clip-on double speed rail             |

| MODEL  | DESCRIPTION                |
|--------|----------------------------|
| SSR-16 | Single speed rail, bolt-on |
| DSR-16 | Double speed rail, bolt-on |
| BBS-16 | Blender shelf, bolt-on     |