

CS-42x26-CW

Project: _____	AIA# _____
Item #: _____ Qty: _____	SIS# _____
Model #: _____	

## 42" x 26" Assembly Style Cocktail Station

CS-42x26-CW or CS-42x26-CCW

### Standard Features

- Pass thru ice bin - capacity 85#
- Wet waste sink with strainer - dimensions: 9-1/4" by 11-1/2" by 6" deep
- Gooseneck faucet
- Stainless steel draining tray shelf with removable perforated inserts
- Tubing chase - dimensions: 4" by 8" by 6-1/2" high
- Double speed rail - dimensions: 24" long by 10" deep - capacity: 12 bottles
- Blender shelf - dimensions: 16" long by 10" deep
- Laminated wooden front and end panels, specify laminate manufacturer, color, and catalog number when ordering (Conversion to stainless steel front and end panels is available)
- Available in clockwise or counterclockwise rotation



### Specifications

**Ice Bin**

- 16" by 20-1/2" by 10-1/2" deep

**Sink Bowl**

- 9-1/4" by 11-1/2" by 6" deep

**Tubing Chase**

- 4" by 8" by 6-1/2" high

**Sneeze Guard (optional)**

- 17-1/4" by 21-1/2" by 10" high

**Ice Bin Drain**

- Standard model...1-1/2" tailpiece
- Ten circuit cold plate models...1/2" MPT

**Sink Drain**

- 1-1/2" I.P.S. Threaded drain will fit Dearborn part #8033 slipnut and part #W-573P washer.

**Tray and Overshelf (optional) Drains**

- 1/2" tailpiece

**Faucet**

- On 4" centers, accepts 3/8" sink leads, hot and cold water connections required

**Cold Plate**

- Ten circuit available

**Shelf Heights**

- Tray shelf...44"
- Single overshelf (optional)...69"
- Double overshelf (optional)...63" and 72"

**Rotation**

- Ice bin can be at bartender's left (clockwise) or right (counterclockwise) - specify when ordering

**Materials**

- 20 gauge stainless steel parts include: tray shelf and inserts, tubing chase, work surface, blender shelf, double speed rail steps, bowl, and ice bin (Stainless front and end panels if specified)
- 18 gauge stainless steel parts include: leg set cross braces and leg pads
- 16 gauge stainless steel parts include: leg mounting brackets and legs
- 14 gauge stainless steel parts include: blender shelf ends and double speed rail ends
- Laminated wooden front and end panels
- 1/4" clear acrylic sneeze guard (optional)

**Recommendations**

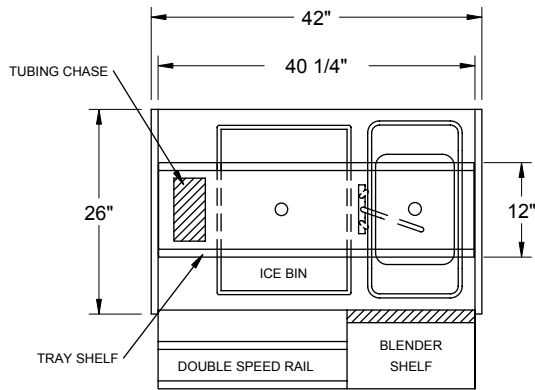
- Provide 12" by 12" open floor drain (safe waste) under ice bin - consult local codes
- Provide 120V, 20 AMP, four-plex electrical outlet below ice bin for appliances such as blenders, carbonators, dispensers, etc.

<p><b>Glastender, Inc.</b> • 5400 North Michigan Road • Saginaw, MI • 48604-9780          989.752.4275 • 800.748.0423 • Fax 989.752.4444  <a href="http://www.glastender.com">www.glastender.com</a></p>	<p>Approval/Notes:</p>
<p>Specifications subject to change without notice. For current specifications please visit our website.</p>	

# CS-42x26 Cocktail Station

## Dimensional Information

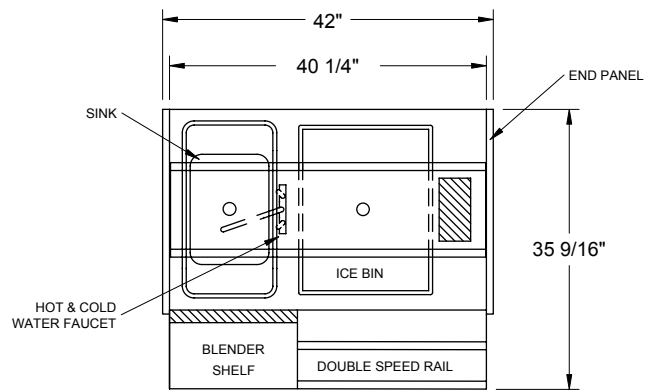
**CS-42x26-CW**  
(Clockwise Rotation)



BARTENDER SIDE

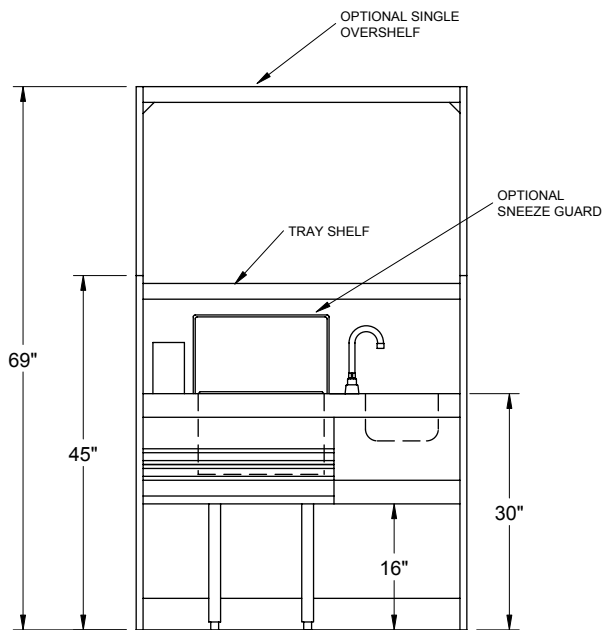
PLAN VIEW

**CS-42x26-CCW**  
(Counterclockwise Rotation)

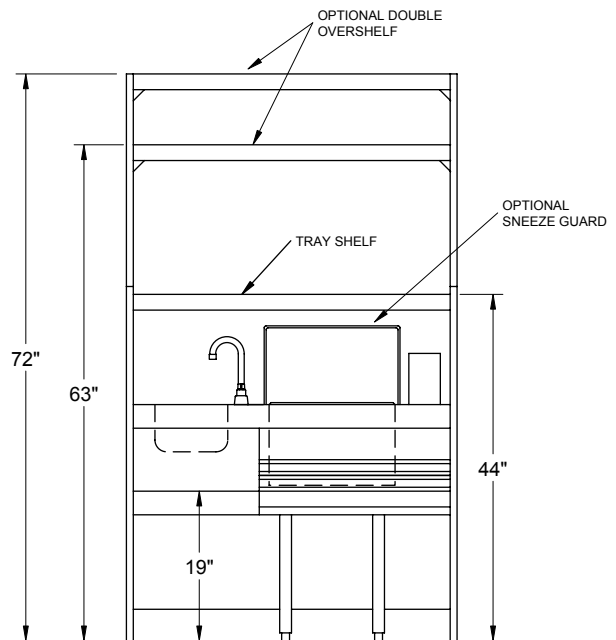


BARTENDER SIDE

PLAN VIEW



BARTENDER SIDE ELEVATION



BARTENDER SIDE ELEVATION

### OPTIONAL ACCESSORIES

MODEL	DESCRIPTION
CPS-42x26	Convert laminated panels to stainless
02000624	Ten-circuit sealed cold plate
SOS/SS-42	Stainless steel single overshelf
DOS/SS-42	Stainless steel double overshelf

MODEL	DESCRIPTION
IBD-H-CS26	Ice bin divider, half
CCD/T	Clip-on condiment dispenser
03000508	Sneeze guard
CDRY	Clip-on dry waste, stainless steel



5400 North Michigan Road • Saginaw, MI • 48604-9780  
989.752.4275 • 800.748.0423 • Fax 989.752.4444  
www.glastender.com

Printed in USA