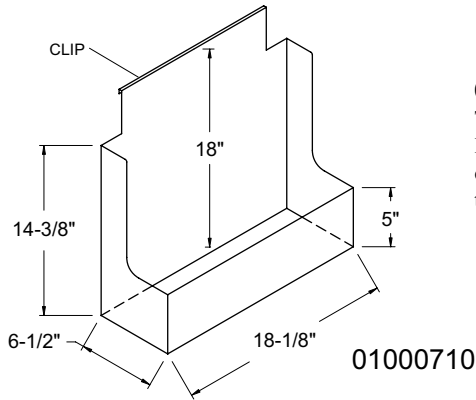


Project: _____	AIA# _____
Item #: _____ Qty: _____	SIS# _____
Model #: _____	

## GT-18 Glasswasher Accessories

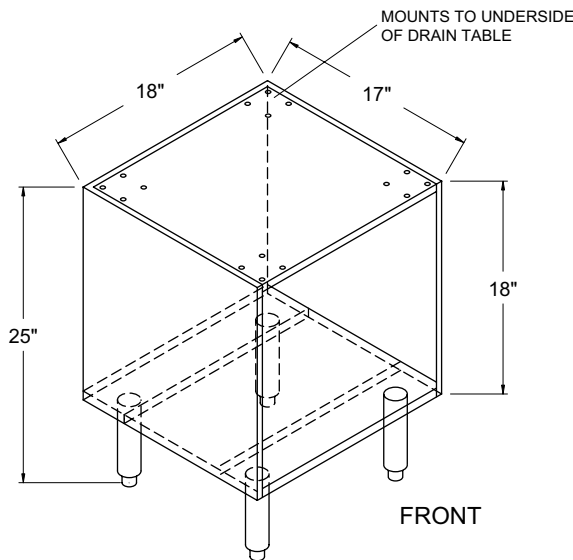
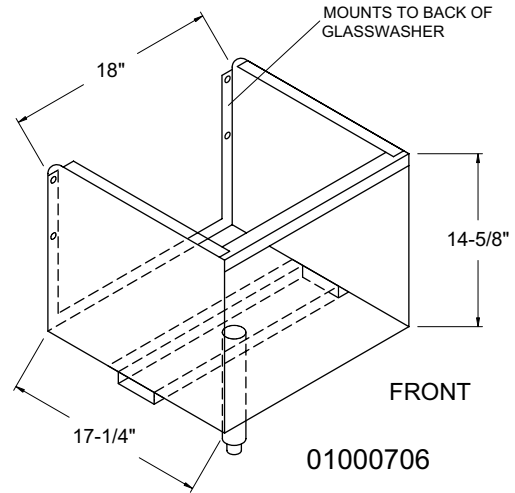


### 01000710 Clip-On Chemical Rail

The clip-on chemical rail clips to the side of a GT-18 glasswasher base. It may even clip to the side of a GT-18+2 base below the drain table. The clip-on chemical rail is manufactured with stainless steel and holds three one-gallon chemical containers.

### 01000706 GT-18+1 Glass Rack Holder

The 01000706 glass rack holder is specifically designed for use with the GT-18+1 glasswasher. The rack holder is manufactured with stainless steel and mounts to the back of the GT-18+1 glasswasher below the drain table. One 10" adjustable leg is provided in the center for extra support. The rack holder holds three empty racks.



**01000708 or 01000709**  
 (WITHOUT or WITH SHELF)

### 01000708 & 01000709 Glass Rack Holders

The 01000708 and 01000709 glass rack holders come without or with an intermediate shelf, respectively, and are designed to mount below the drain table of GT-18+1L, GT-18+1R, GT-18+2, or extended GT-18+2 model glasswashers. The rack holders are manufactured with stainless steel and come with four 7" adjustable legs. The 01000708 model holds four empty racks and the 01000709 model with shelf holds two full racks.

<b>Glastender, Inc.</b> • 5400 North Michigan Road • Saginaw, MI • 48604-9780 989.752.4275 • 800.748.0423 • Fax 989.752.4444 <a href="http://www.glastender.com">www.glastender.com</a>	Approval/Notes:
Specifications subject to change without notice. For current specifications please visit our website.	