

Project: _____	AIA# _____
Item #: _____ Qty: _____	SIS# _____
Model #: _____	

## Clip-On Wet Wastes

CWET-24, CWET-30, CWET-GW

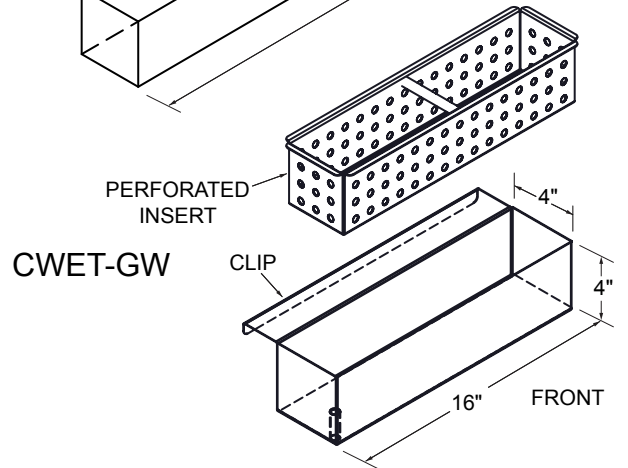
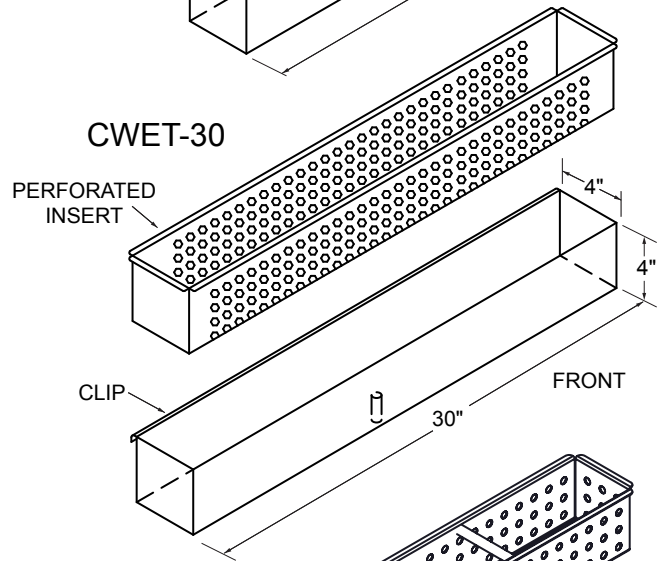
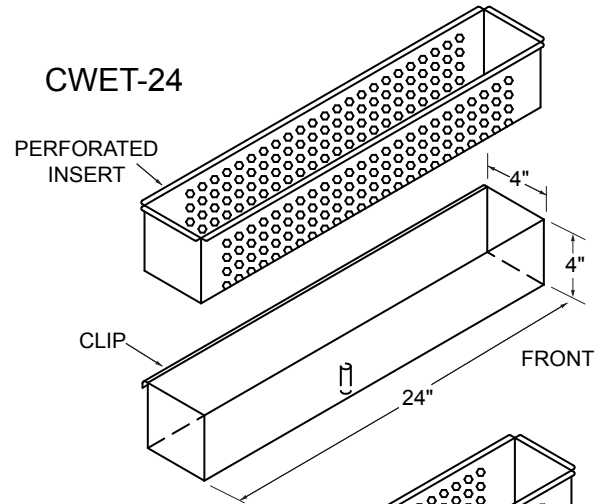
### Dimensional Information



CWET-24  
(shown installed to the front of a GT-24-CCW)

### Standard Features

- CWET-24 designed to clip on to the front or side of the GT-24
- CWET-30 designed to clip on to the front or side of the GT-30
- CWET-GW designed to clip on the front ONLY of the GW24 (no provision to clip on side)
- Constructed of 18 ga. stainless steel
- Includes removable stainless steel perforated insert
- 1/2" welded tailpiece drain



**Glastender, Inc.** • 5400 North Michigan Road • Saginaw, MI • 48604-9780  
 989.752.4275 • 800.748.0423 • Fax 989.752.4444  
[www.glastender.com](http://www.glastender.com)

Approval/Notes: \_\_\_\_\_

Specifications subject to change without notice. For current specifications please visit our website.